

**Ega Master hand tools**

**Ega Master Pipe Wrenches**

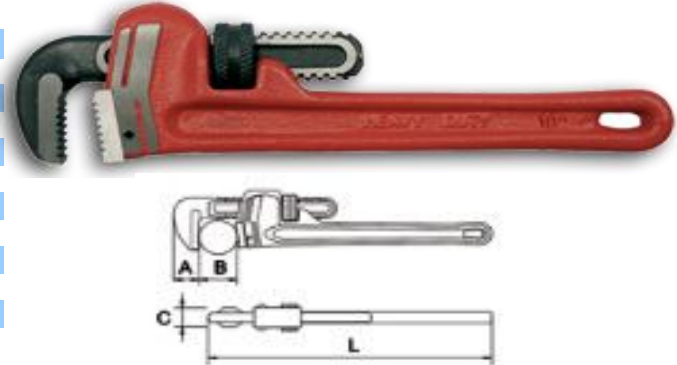


Repair Management Nederland B.V.  
More management less firefighting

**Ega Master Heavy Duty pipe wrench American type**

GGG-W-651-E, Type II Class A

Number	Length L	← A →	← B →	← C →
24E61299	6"	13 mm	3/4"	11 mm
24E61014	8"	15 mm	1"	14 mm
24E61015	10"	20 mm	1 1/2"	17 mm
24E61016	12"	23 mm	2"	20 mm
24E61017	14"	25 mm	2"	23 mm
24E61018	18"	28 mm	2 1/2"	26 mm
24E61019	24"	33 mm	3"	29 mm
24E61020	36"	43 mm	5"	33 mm
24E61021	48"	55 mm	6"	35 mm
24E61045	60"	85 mm	8"	41 mm



**Ega Master Heavy Duty Offset pipe wrench American type**

GGG-W-651-E. Type IV

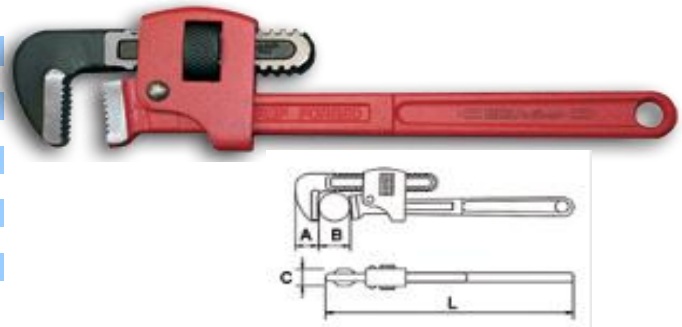
Number	Length L	← A →	← B →	← C →
24E61029	8"	16 mm	1"	20 mm
24E61030	10"	20 mm	1 1/2"	23 mm
24E61031	12"	22 mm	2"	26 mm
24E61032	14"	25 mm	2"	29 mm
24E61033	18"	27 mm	2 1/2"	33 mm
24E61034	24"	31 mm	3"	35 mm



**Ega Master Stillson reinforced pipe wrench American type**

NATO/OTAN code 8552B

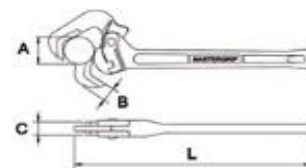
Number	Length L	← A →	← B →	← C →
24E61001	8"	17 mm	3/4"	12 mm
24E61002	10"	23 mm	1"	16 mm
24E61003	12"	24 mm	1 1/4"	16 mm
24E61004	14"	28 mm	1 1/2"	21 mm
24E61005	18"	30 mm	2"	24 mm
24E61006	24"	39 mm	2 1/2"	27 mm
24E61007	36"	49 mm	4"	30 mm



**Ega Master MASTERGRIP pipe wrench.**

Speciaal gepatenteerd type

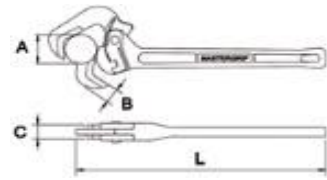
Number	Length L	← A →	← B →	← C →	Hexagon
24E61405	10"	1/4"-1 1/2"	15 mm	26 mm	13-40 mm
24E61406	14"	1/2"-2"	23 mm	33 mm	17-50 mm



**Ega Master MASTERGRIP pipe wrench Aluminium**

Speciaal gepatenteerd type

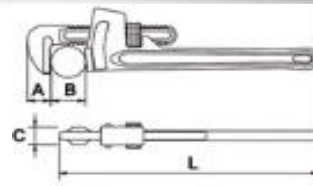
Number	Length L	← A →	← B →	← C →	Hexagon
24E61407	18"	3/4"-3"	29 mm	50 mm	17-80 mm



**Ega Master RAP Heavy Duty pipe wrench**

GGG-W-651-E, Type II Class A

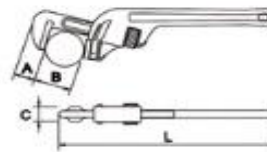
Number	Length L	← A →	← B →	← C →
24E61376	10"	20 mm	1 1/2"	17 mm



**Ega Master Offset 90° Heavy Duty pipe wrench**

GGG-W-651-E, Type II Class A

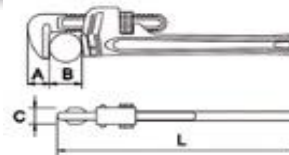
Number	Length L	← A →	← B →	← C →
24E61377	14"	25 mm	2"	23 mm
24E61378	18"	29 mm	2 1/2"	26 mm



**Ega Master TITALUM® Aluminium Pipe wrench**

GGG-W-651-E, Type II Class C

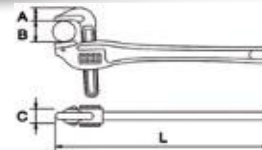
Number	Length L	← A →	← B →	← C →
24E61044	10"	20 mm	1 1/2"	17 mm
24E61023	12"	23 mm	2"	20 mm
24E61024	14"	25 mm	2"	23 mm
24E61025	18"	28 mm	2 1/2"	26 mm
24E61026	24"	33 mm	3"	29 mm
24E61027	36"	43 mm	5"	33 mm
24E61028	48"	55 mm	6"	35 mm



**Ega Master TITALUM® 90° Alu Offset Pipe wrench**

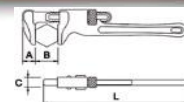
GGG-W-651-E, Type II Class C

Number	Length L	← A →	← B →	← C →
24E61363	14"	25 mm	2"	28 mm
24E61364	18"	28 mm	2 1/2"	39 mm
24E61365	24"	34 mm	3"	42 mm



**Ega Master SPUD Pipe wrench**

Number	Length L	← A →	← B →	← C →
24E61369	12"	24 mm	2 5/8"	16 mm



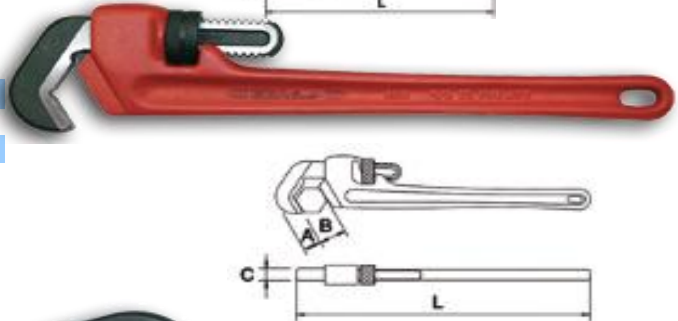
**Ega Master Blitz type Pijpentang**

Number	Length L	← A →	← B →	← C →
24E61465	175 mm	19 mm	1"	12 mm
24E61466	225 mm	20 mm	1 1/2"	15 mm
24E61467	275 mm	21 mm	2"	16 mm
24E61468	300 mm	23 mm	2 1/2"	17 mm
24E6469	350 mm	24 mm	3"	17 mm



**Ega Master Hex pipe wrench**

Number	Length L	← A →	← B →	← C →
24E61368	14 1/2"	29 mm	5/8-1 1/4"	14 mm



**Ega Master Hex Offset Pipe wrench**

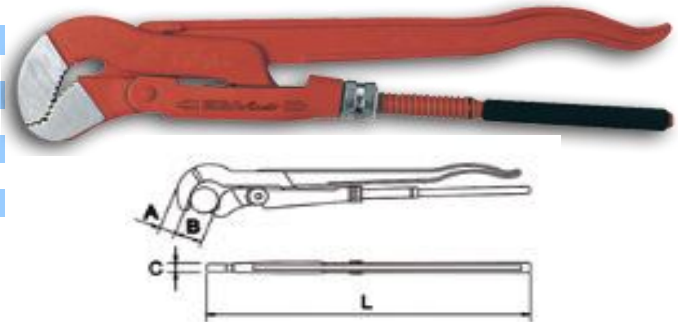
Number	Length L	← A →	← B →	← C →
24E61367	9 1/2"	14 mm	1 1/8"- 2 5/8"	9,5 mm



**Ega Master Swedish pipe wrench S 45°**

Cr-V DIN 5234

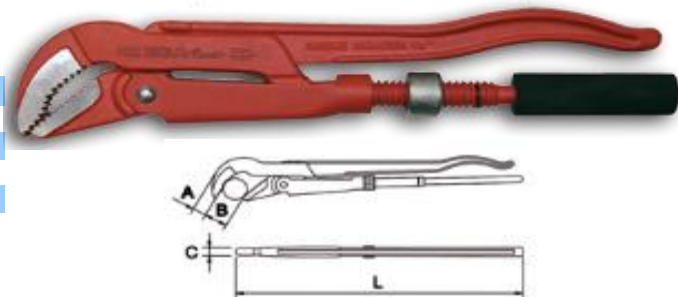
Number	Length L	← A →	← B →	← C →
24E61010	230 mm	15 mm	1/2"	8,8 mm
24E61011	330 mm	20 mm	1"	13 mm
24E61012	420 mm	26 mm	1 1/2"	14 mm
24E61013	550 mm	28 mm	2"	16 mm
24E61022	650 mm	35 mm	3"	19 mm



**Ega Master Swedish pipe wrench 45°**

Cr-V DIN 5234

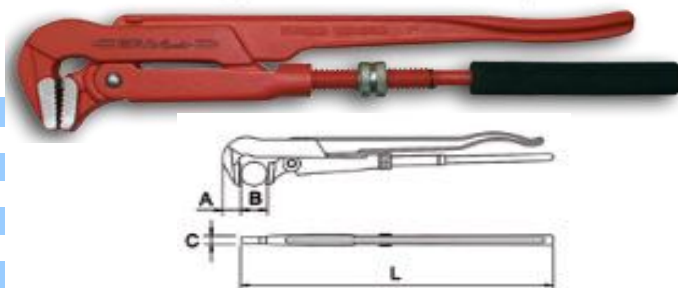
Number	Length L	← A →	← B →	← C →
24E61040	230 mm	18 mm	1/2"	8,8 mm
24E61041	330 mm	24 mm	1"	13 mm
24E61042	420 mm	27 mm	1 1/2"	14 mm
24E61043	550 mm	33 mm	2"	16 mm



**Ega Master Swedish pipe wrench 90°**

Cr-V DIN 5234

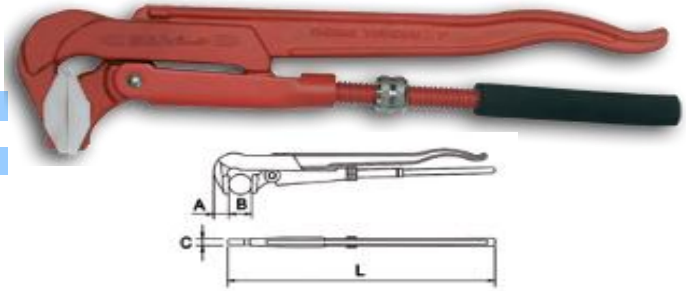
Number	Length L	← A →	← B →	← C →
24E61046	320 mm	18 mm	1"	15 mm
24E61047	430 mm	20 mm	1 1/2"	18 mm
24E61048	550 mm	25 mm	2"	20 mm
24E61049	600 mm	30 mm	3"	20 mm
24E61051	750 mm	34 mm	4"	31 mm



**Ega Master Fittings wrench 90°**

Cr-V DIN 5234

Number	Length L	← A →	← B →	← C →
24E61050	310 mm	21 mm	1"	9,5 mm

**Ega Master Swedish pipe wrench straight jaws**

Cr-V DIN 5234

Number	Length L	← A →	← B →	← C →
24E60963	320 mm	24 mm	1"	13 mm
24E60964	420 mm	27 mm	1 1/2"	14 mm
24E60965	550 mm	33 mm	2"	16 mm

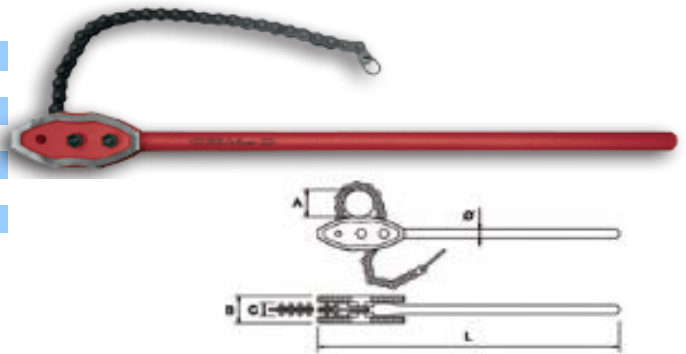
**Ega Master reversible chain pipe wrench**

Number	Length L	← A →	← B →	← C →
24E61035	300 mm	4"	19 mm	19 mm

24E64038 Losse vervangingsketting

**Ega Master Heavy Duty chain pipe wrench**

Number	Length L	← A →	← B →	← C →
24E61036	900 mm	4"	65 mm	36 mm
24E61037	900 mm	6"	65 mm	36 mm
24E61038	1100 mm	8"	70 mm	36 mm
24E61039	1100 mm	10"	70 mm	36 mm
24E61138	1300 mm	12"	70 mm	36 mm
24E61139	1300 mm	16"	70 mm	36 mm

**Separate replacement chains**

Number	Size
24E64081	4"
24E64082	6"
24E64083	8"
24E64084	10"
24E64128	12"
24E64129	16"

**Ega Master Strap wrench, strap length 300 mm - 12"**

Number	Length L	← A →	← B →	← C →
24E61480	450 mm	3"	43 mm	27 mm
24E61841	1000 mm	8"	43 mm	27 mm

**Separate replacement strap**

Number	Size
24E64035	3"
24E64036	8"

