

XADW / XAEW, Full Enclosures

Primarily used as a control system, our complete station is composed of a pushbutton unit, pilot light or ammeters and offers aluminium casing and brass glands as standard.

Specifications

Material	Aluminium
IP Rating	IP65 – IP66
Temperature	-20°C to +60°C
Approvals ATEX	INERIS 03ATEX0145 for XADW INERIS 03ATEX0146 for XAEW
Standards	Cenelec EN50014, EN50018, EN500281-1-1
Ex-Code	EEx d IIB T6 IP65/66 - T85°C for XADW EEx d IIC T6 IP65/66 - T85°C for XAEW ATEX II 2 GD
Surface treatment	RAL 7032 Painting Special painting on request
Cable gland entry	Fitted with 1 M20 brass cable gland



Group IIB-T6		With flat joint (for group IIB gases and vapours)		
		1 pushbutton spring return	1 mushroom head pushbutton	1 selector switch
Function		Start	Stop	Stop
Contact type		1 NO	1 NC	1 NC
Non armoured gland version		XADW12110P11IC	XADW12111P11IC	XADW12116P11IC
Armoured gland version		XADW12110P14I	XADW12111P14I	XADW12116P14I
		2 pushbuttons spring return	3 pushbuttons spring return	1 pilot light and 2 pushbuttons spring return (1)
Function		Start-Stop	Forward-Stop-Reverse	Stop -Start-Stop
Contact type		1 NO - 1 NC	1 NO - 1 NC - 1 NO	Direct lamp-1 NO - 1 NC
Non armoured gland version		XADW12221P11IC	XADW13231P11IC	XADW13236P11IC
Armoured gland version		XADW12221P14I	XADW13231P14I	XADW13236P14I
		1 ammeter Ø48mm (1)	1 ammeter Ø48mm and 1 selector switch	1 ammeter Ø48mm and 2 pushbuttons spring return
Function		ammeter	ammeter - Stop-Start	ammeter - Start-Stop
Contact type		-	1 NO	1 NO - 1 NC
Non armoured gland version		XADW1231P11IC	XADW122321P11IC	XADW132321P11IC
Armoured gland version		XADW1231P14I	XADW122321P14I	XADW132321P14I

(1) available in Group IIC-T6, please contact our sale office

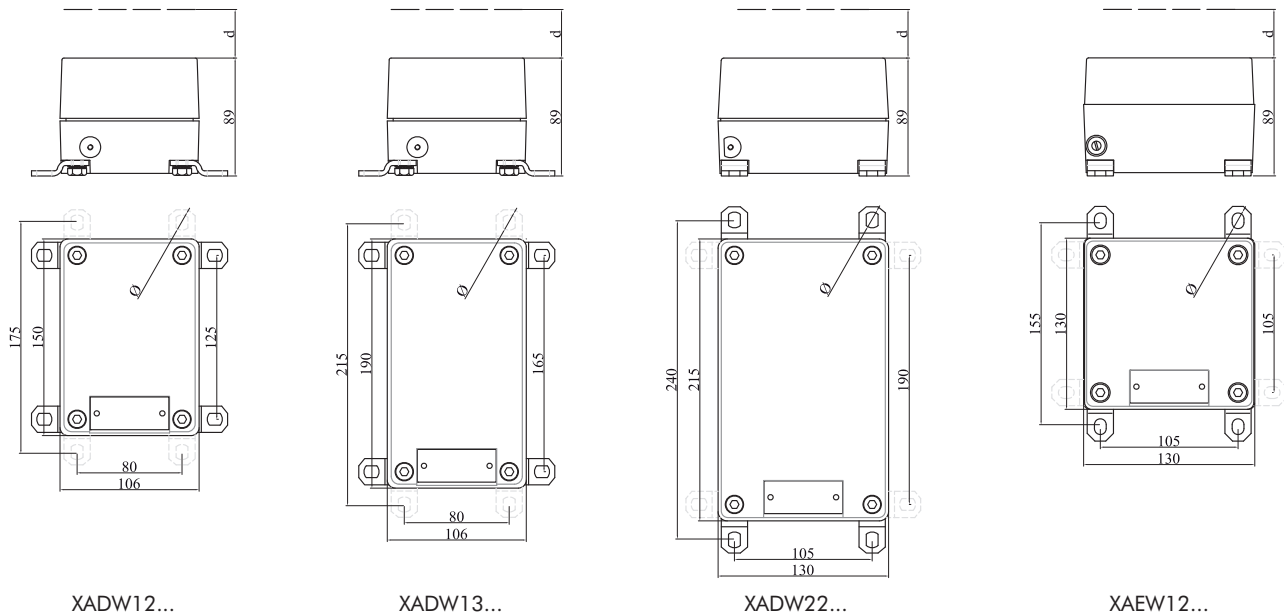
The ammeter may be either of the following type:

- direct fed: up to 30 A
- current transformer (not supplied): please state transformer ratio

For other composition please check our variable enclosure pages, or contact your local retailer.



Dimensions



XADW12...

XADW13...

XADW22...

XAEW12...

d: 67 mm max. operating heads

Ø: 4 elongated holes 9 x 12

(1): cable glands only mounted on complete station

