

FSX

FSX Stainless Steel AISI 316 housing and Glass fibre Reinforced Polyester block contact socket outlets & welding receptacles. The design of the block contact that turns on suitable hinges, allows an easy wiring and maintenance. When open, all space corresponding to surface O.D. of apparatus is available for wiring. Also, by the twin terminal for each polarity, provided it is possible the loop of power cable, the costs for one extra junction box, two cable glands and man power may be saved for one wiring in between junction box and socket outlet. The cross section of looping terminal strip allows the use of cable size over the socket full load.

Specifications

Material	Stainless Steel AISI 316L Housing
IP Rating	IP65 / IP66 (see attached table)
Temperature	-40°C to 60°C (see attached table)
Certification & Approvals	EC-Type Examination Certificate INERIS 06ATEX0015
Standards	EN 60079-0 / 60079-1 / 60079-7 / 61241-0 / 61241-1
Ex-code	⊕ II 2 GD Ex ed IIC T6/T5/T4 Ex tD A21 IP66 T85°C/T100°C/T135°C

According to European Directive 94/9/EC (ATEX)
For Zone 1 / Zone 21, Zone 2 / Zone 22

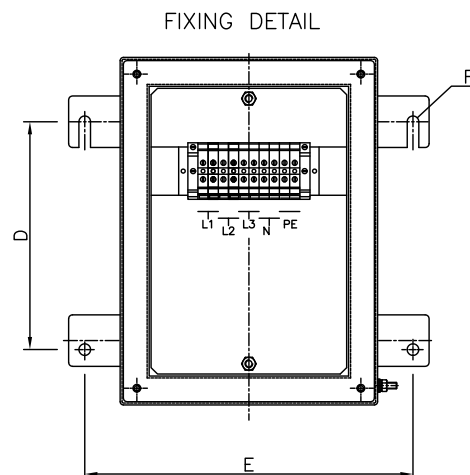
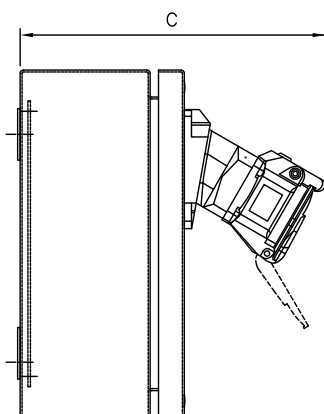
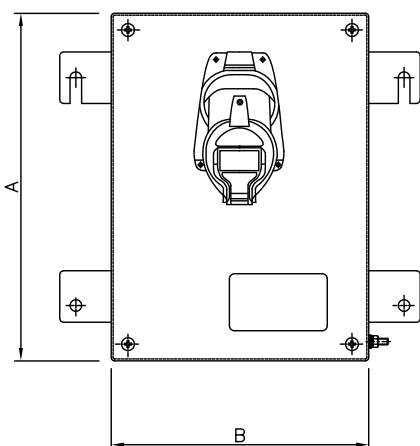
Lid / Door gasket POR 303/F/GR/CIG

Quantity for entries Nr. 1 double seal EEx-e stainless steel AISI 316 cable gland
Nr. 1 EEx-e stainless steel AISI 316 blank plug

Note Detailed description of DXN contact system is available in following chapter concerning FPR plugs.
Rated voltage identification by colour code as per IEC/EN 60-309-1
Interior keying system with 24 non interchangeable positions to avoid accidental connection of apparatus having a non compatible voltage.



Dimensions



ITEM TYPE	ITEM CODE	COLOR CODE	VOLTAGE [V]	CONTACT ARRANGEMENTS	CURRENT [A]	Earth Pin Position	FQ [Hz]	CONNECTION TERMINALS CROSS SECTION FLEXIBLE CORES (RIGID CORES) [mmq]	ENTRIES	OVERALL DIMENSIONS (AxBxC) [mm]	MOUNTING INTERAXES (ExD)-F
FSX-2-20-24-50	A.4300.26		24	2P	20	Central	50	10 / 10	2 x M25	217X200X257	192X1 -9
FSX-3-20-110-50	A.4300.27		110-130	1P+N+E	20	Central	50	10 / 10	2 x M25	217X200X257	192X1 -9
FSX-3-20-230-50	A.4300.28		220-250	1P+N+E	20	Central	50	10 / 10	2 x M25	217X200X257	192X1 -9
FSX-4-20-400-50	A.4300.29		380-440	3P+E	20	Central	50	10 / 10	2 x M25	280X270X257	255X177 -9
FSX-5-20-400-50	A.4300.30		380-440	3P+N+E	20	Central	50	10 / 10	2 x M25	280X270X257	255X177 -9
FSX-2-32-24-50	A.4300.31		24	2P	32	Central	50	16 / 16	2 x M32	280X270X268	255X177 -9
FSX-3-32-110-50	A.4300.32		110-130	1P+N+E	32	Central	50	16 / 16	2 x M32	280X270X268	255X177 -9
FSX-3-32-230-50	A.4300.33		220-250	1P+N+E	32	Central	50	16 / 16	2 x M32	280X270X268	255X177 -9
FSX-4-32-400-50	A.4300.34		380-440	3P+E	32	Central	50	16 / 16	2 x M32	350X350X268	325X257 -9
FSX-5-32-400-50	A.4300.35		380-440	3P+N+E	32	Central	50	16 / 16	2 x M32	350X350X268	325X257 -9
FSX-2-63-24-50	A.4300.36		24	2P	63	Central	50	35 / 35	2 x M50	350X350X295	325X257 -9
FSX-3-63-110-50	A.4300.37		110-130	1P+N+E	63	Central	50	35 / 35	2 x M50	350X350X295	325X257 -9
FSX-3-63-230-50	A.4300.38		220-250	1P+N+E	63	Central	50	35 / 35	2 x M50	350X350X295	325X257 -9
FSX-4-63-400-50	A.4300.39		380-440	3P+E	63	Central	50	35 / 35	2 x M50	430X500X325	405X407 -9
FSX-5-63-400-50	A.4300.40		380-440	3P+N+E	63	Central	50	35 / 35	2 x M50	430X500X325	405X407 -9

I.E. / Example

FSX-3-20-230-50

FSX = Flameproof Socket Stainless Steel

3 = Poles Number

20 = Current (A)

230 = Voltage (V)

50 = Frequency (HZ)

ITEM TYPE	ITEM CODE	COLOR CODE	VOLTAGE (V)	CONTACT ARRANGEMENTS	CURRENT (A)	Earth Pin Position	FREQUENCY (HZ)	CONNECTION TERMINALS CROSS SECTION FLEXIBLE CORES (RIGID CORES) mmq	ENTRIES	OVERALL DIMENSIONS (AxBxC)	MOUNTING INTERAXES (ExD)-F
FSX-2-2a-32-24-50	A.4300.80		24	2P +2aux	32	Central	50	16 / 16 / 4	2 x M25 + 1 x M20	280x270 x268	255x177-9
FSX-3-2a-32-110-50	A.4300.41		110-130	1P+N+E +2aux	32	Central	50	16 / 16 / 4	2 x M25 + 1 x M20	280x270 x268	255x177-9
FSX-3-2a-32-230-50	A.4300.42		220-250	1P+N+E +2aux	32	Central	50	16 / 16 / 4	2 x M25 + 1 x M20	280x270 x268	255x177-9
FSX-4-2a-32-400-50	A.4300.43		380-440	3P+E +2aux	32	Central	50	16 / 16 / 4	2 x M32 + 1 x M20	350x350 x268	325x257-9
FSX-5-2a-32-400-50	A.4300.44		380-440	3P+N+E +2aux	32	Central	50	16 / 16 / 4	2 x M32 + 1 x M20	350x350 x268	325x257-9
FSX-2-2a-63-24-50	A.4300.45		24	2P +2aux	63	Central	50	35 / 35 / 4	2 x M32 + 1 x M20	350x350 x295	325x257-9
FSX-3-2a-63-110-50	A.4300.46		110-130	1P+N+E +2aux	63	Central	50	35 / 35 / 4	2 x M32 + 1 x M20	350x350 x295	325x257-9
FSX-3-2a-63-230-50	A.4300.47		220-250	1P+N+E +2aux	63	Central	50	35 / 35 / 4	2 x M32 + 1 x M20	350x350 x295	325x257-9
FSX-4-2a-63-400-50	A.4300.48		380-440	3P+E +2aux	63	Central	50	35 / 35 / 4	2 x M50 + 1 x M20	350x350 x295	325x257-9
FSX-5-2a-63-400-50	A.4300.49		380-440	3P+N+E +2aux	63	Central	50	35 / 35 / 4	2 x M50 + 1 x M20	350x350 x295	325x257-9

I.E. / Example

FSX-3-2a-32-230-50

FSX = Flameproof Socket Stainless Steel

3 = Poles Number

2a = Number auxiliary contact

20 = Current (A)

230 = Voltage (V)

50 = Frequency (HZ)