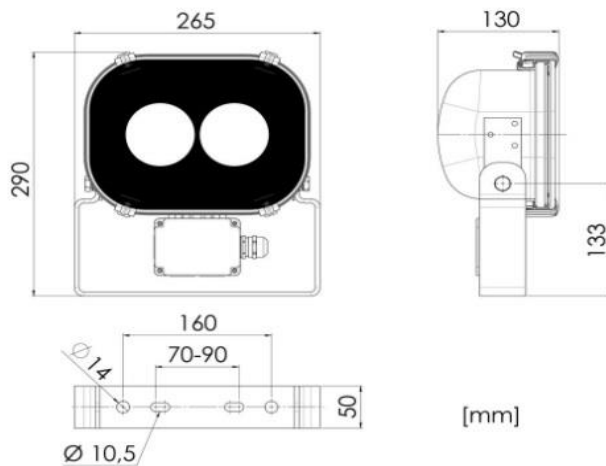


Lightpartner High Efficiency LED Floodlights Series ST76S

High efficient, stainless steel LED Floodlight for decks, holds and industrial areas.
Design according to the rules of maritime classification societies and relevant standards.
Housing stainless steel 1.4404 (AISI 316L) seamless deep drawn powder coating, white (RAL 9016).
Safety Pane, tempered glass DIN 12150, partially lacquered.
Mounting, stainless steel bracket, adjustable.
Cable entry, exterior connection box with M20 cable gland.
Protection IP67, weight 4,2 kilo.
Equipped with 2x10 Watt LED, CCT colour 5.000K and luminous flux of 2.000 lm, CRI≥80
Voltage 110-240Vac, 50/60 Hz. Optional available in 24V DC.

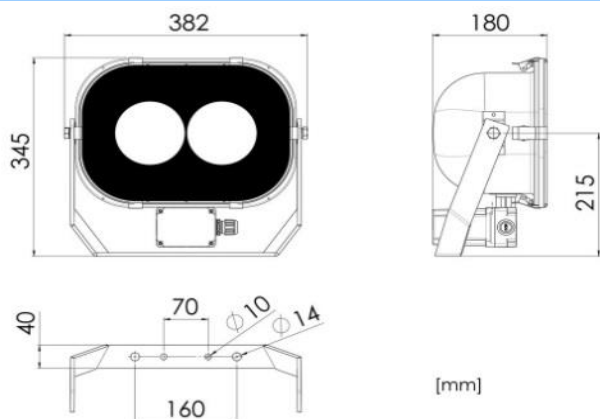
Number	Description	Lumen
83LP5310001	ST76S 2x10W beam angle 2x 17°	2.000
83LP5310000	ST76S 2x10W beam angle 2x 23°	2.000
83LP5310002	ST76S 2x10W beam angle 2x39°	2.000



Lightpartner High Efficiency LED Floodlights Series ST76M

Specifications as the ST76S but with 2x25 Watt, CCT colour 5.700K and luminous flux of 6.000 lm.
Weight 7,5 kilo.

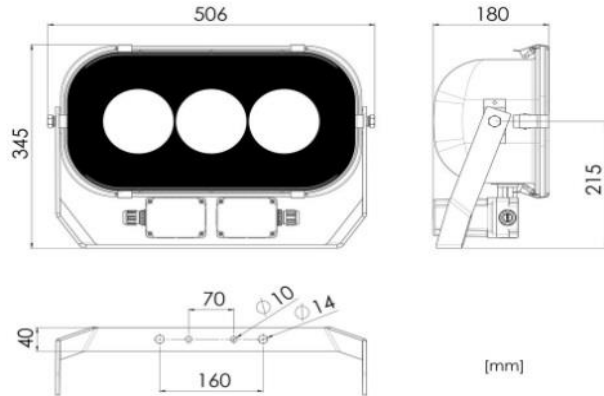
Number	Description	Lumen
83LP5810001	ST76M 2x25W beam angle 2x 22°	6.000
83LP5810000	ST76M 2x25W beam angle 2x 37°	6.000
83LP5810002	ST76M 2x25W beam angle 2x 52°	6.000
83LP5810027	ST76M 2x25W beam angle 2x 91°	6.000



**Lightpartner High Efficiency LED Floodlights
Series ST76L**

Specifications as ST76M but with 3x25 Watt, CCT colour 5.700K and luminous flux of 8.000 lm.
Weight 9,5 kilo.

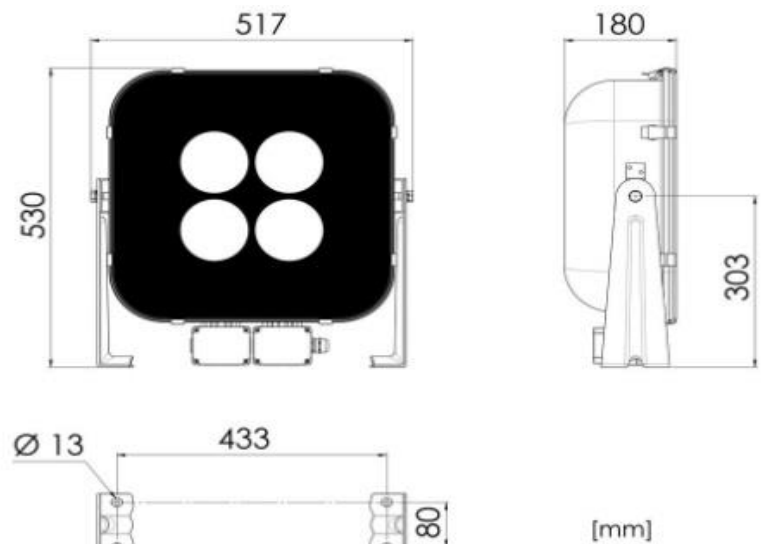
Number	Description	Lumen
83LP5710001	ST76L 3x25W beam angle 3x 22°	11.000
83LP5710000	ST76L 3x25W beam angle 3x 37°	11.000
83LP5710002	ST76L 3x25W beam angle 3x 52°	11.000
83LP5710019	ST76L 3x25W beam angle 3x 91°	11.000



**Lightpartner High Efficiency LED Floodlights
Series ST76XL**

Specifications as ST76M but with 4x25 Watt, CCT colour 5.700K and luminous flux of 11.000 lm.
Weight 16,5 kilo.

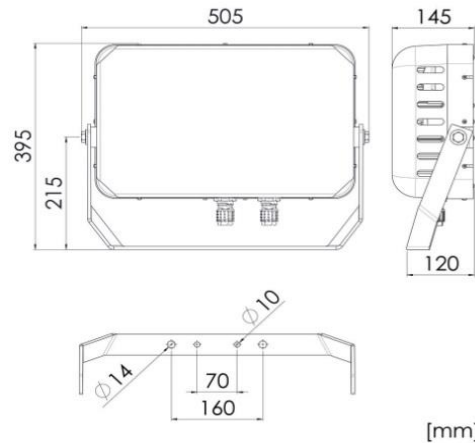
Number	Description	Lumen
83LP5510000	ST76XL 4x25W beam angle 4x 22°	11.000
83LP5510001	ST76XL 4x25W beam angle 4x 37°	11.000
83LP5510002	ST76XL 4x25W beam angle 4x 52°	11.000
83LP5510005	ST76XL 4x25W beam angle 4x 91°	11.000



**Lightpartner High POWER LED Floodlights
Series ST80S**

High power LED Floodlight for decks, holds, industrial areas and seaports.
 Design according to the rules of maritime classification societies and relevant standards.
 Housing stainless steel 1.4404 (AISI 316L) seamless deep drawn powder coating, white (RAL 9016).
 Back side covered with opal Polycarbonate hood.
 Safety pane, tempered glass DIN 12150, clear.
 Mounting, stainless steel bracket, adjustable.
 Cable entry IDC fast connection, 1 cable \varnothing 9-14mm.
 Protection class IP66/67, weight 9,0 kilo.
 Equipped with 2x50 Watt LED with CCT colour 5.000K and luminous flux of 12.000 lm, CRI \geq 80
 Voltage 110-277Vac, 50/60 Hz.

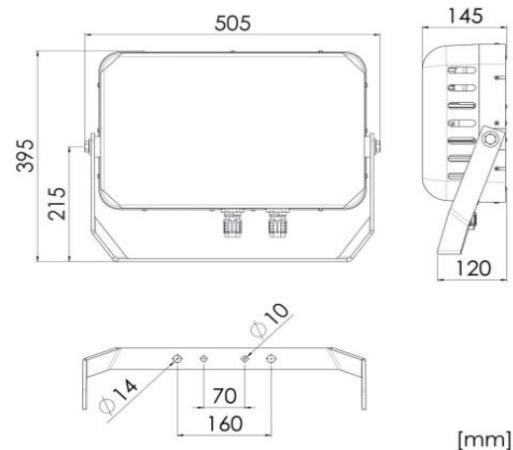
Number	Description	Lumen
83LP7900002	ST80S 2x50W beam angle 2x 22°	12.000
83LP7900001	ST80S 2x50W beam angle 2x 37°	12.000
83LP7900003	ST80S 2x25W beam angle 2x 52°	12.000
83LP7900004	ST80S 2x50W beam angle 2x 91°	12.000



**Lightpartner High POWER LED Floodlights
Series ST80M**

Specifications as the ST80S but with 3x50 Watt, CCT colour 5.000K and luminous flux of 18.000 lm.
 Weight 10,0 kilo.

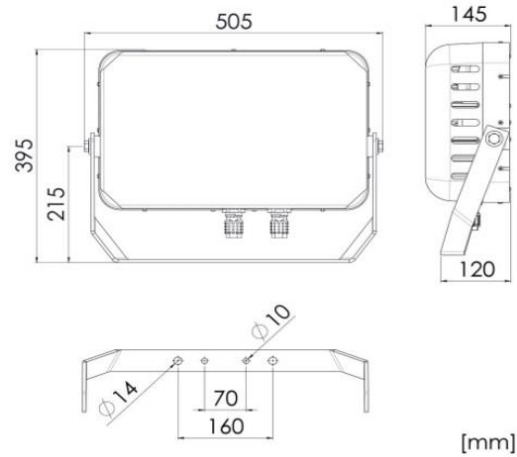
Number	Description	Lumen
83LP7300001	ST80M 3x50W beam angle 3x 22°	12.000
83LP7300006	ST80M 3x50W beam angle 3x 37°	12.000
83LP7300007	ST80M 3x50W beam angle 3x 52°	12.000
83LP7300003	ST80M 3x50W beam angle 3x 91°	12.000



**Lightpartner High POWER LED Floodlights
Series ST80L**

Specifications as the ST80M but with 4x50 Watt, CCT colour 5.000K and luminous flux of 24.000 lm.
Weight 11,0 kilo.

Number	Description	Lumen
83LP7200006	ST80L 4x50W angle beam 4x 22°	24.000
83LP7200003	ST80L 4x50W angle beam 4x 37°	24.000
83LP7200004	ST80L 4x50W angle beam 4x 52°	24.000
83LP7200001	ST80L 4x50W angle beam 4x 91°	24.000



**Lightpartner High POWER LED Floodlights
Series ST80XL**

Specifications as the ST80L but with 6x50 Watt, CCT colour 5.000K and luminous flux of 36.000 lm.
Weight 14,0 kilo.

Number	Description	Lumen
83LP6600005	ST80XL 6x50W beam angle 6x 22°	36.000
83LP6600006	ST80XL 6x50W beam angle 6x 37°	36.000
83LP6600007	ST80XL 6x50W beam angle 6x 52°	36.000
83LP6600008	ST80XL 6x50W beam angle 6x 91°	36.000

