

Glamox Fluorescent fixtures
Glamox LED fixtures
Glamox ATEX Fluorescent fixtures
Glamox 0673 LED
Glamox TL14
Glamox MIR-Z Glamox MIR-S
Glamox MIX-Z
Glamox MAX-Z



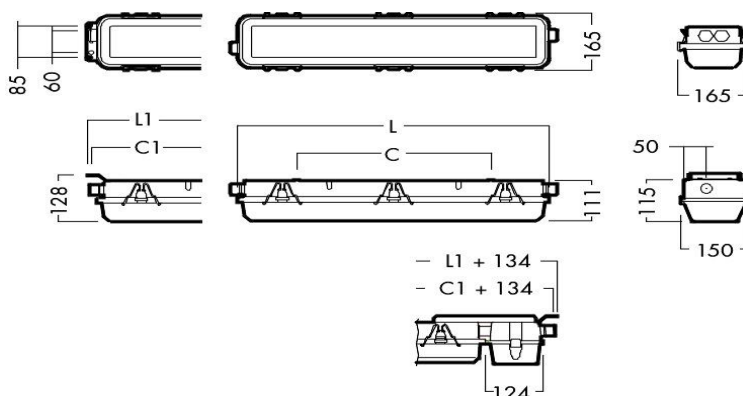
Repair Management Nederland B.V.
 More management less firefighting

Glamox Fluo fixture type MIR-Z 67 IP66/67

Watertight fixture for marine and offshore.
 Certified by accredited certifications according to relevant EU norms
 Available in 220/240V 50/60 Hz HF ballast

Body of deep Aluzink, Stove enamelled white epoxy/polyster powder finish.
 Diffuser made of impact resisting polycarbonate (PC) or optionally chemical resistant (Kembest) material.
 A white plate of Aluzink covers the electrical gear.
 Two T8 lamps with spring loaded lamp holders.
 Both sides one M20 gland and blind plug. Trough wiring (TW) 5x2.5 mm² is standard.

Number	Description	Watt	Volt/Hz	L in mm	C in mm
89GL1030B	MIR-Z 67 218HF TW PC	2x18W	240/50-60	724	704
89GL1031B	MIR-Z 67 236HF TW PC	2x36W	240/50-60	1334	1314

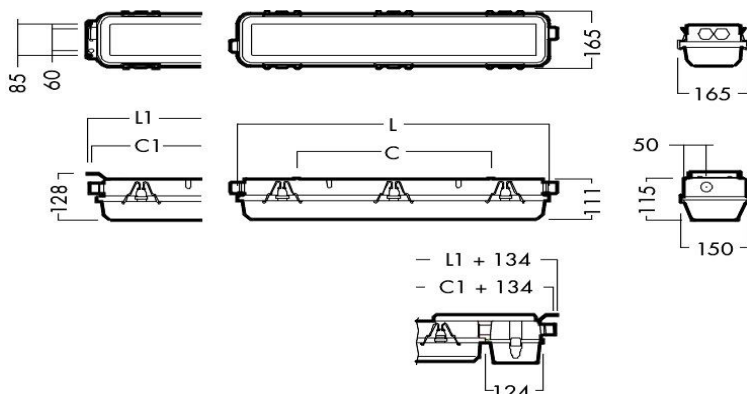


Glamox Fluo fixture type MIR-S 67 IP66/67

Watertight fixture for marine and offshore.
 Certified by accredited certifications according to relevant EU norms
 Available in 220/240V 50/60 Hz HF Ballast

Body of acid proof stainless steel, Stove enamelled white epoxy/polyster powder finish.
 Diffuser made of impact resisting polycarbonate (PK) or optionally chemical resistant (Kembest) material.
 A white plate of Aluzink covers the electrical gear.
 Two T8 lamps with spring loaded lamp holders.
 Both sides one M20 gland and blind plug. Trough wiring (TW) 5x2.5 mm² is standard.
 Emergency lights possible (E1) one hour (E3) three hour.

Number	Description	Watt	Volt/Hz	L in mm	C in mm
89GL1130B	MIR-S 67 218HF TW PC	2x18W	240/50-60	724	704
89GL1131B	MIR-S 67 236HF TW PC	2x36W	240/50-60	1334	1314



Glamox Fluo fixture type MIX-Z 67 ATEX ZONE 2, II 3GD Eex nA T3

Watertight fixture for marine and offshore.

Certified by accredited certifications according to Ex n norms IEC-79-15

MIX67: 3GD Eex nA T3, IP 66/67 Ta=30°C/45°C.

Mechanical impact (EN 50 102): IK 10

Available in 220/240V 50/60 Hz HF Ballast

Body of deep Aluzink, Stove enamelled white epoxy/polyster powder finish.

Diffuser made of impact resisting polycarbonate (PK) or optionally chemical resistant (Kembest) material.

A white plate of Aluzink covers the electrical gear.

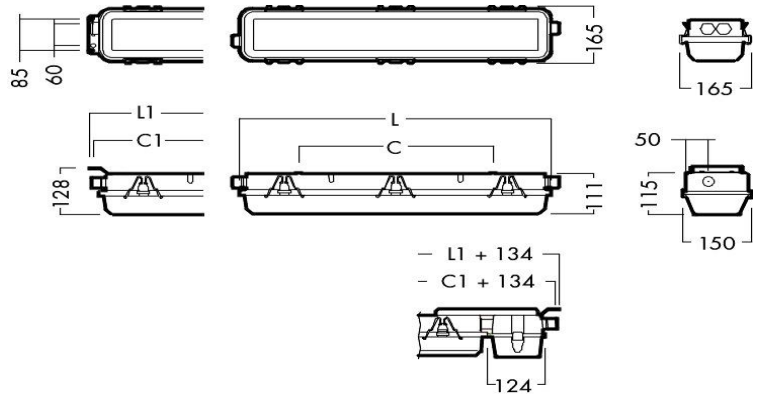
Two T8 lamps with spring loaded lamp holders.

Both sides one M20 gland and blind plug. Trough wiring (TW) 5x2.5 mm² is standard.

Emergency lights possible (E1) one hour (E3) three hour. In 58W only one hour possible.



Number	Description	Watt	Volt/Hz	L in mm	C in mm
89GL1141	MIX-Z 67 218HF TW PC	2x18W	230/50	724	704
89GL1142	MIX-Z 67 236HF TW PC	2x36W	230/50	1334	1314



Glamox Fluo fixture type MAX-Z 67 Hazardous area, zone 1 Ex edms IIC T4, IP66/67

Watertight fixture for marine and offshore.

NEMKO certificate no EX 97D184

MAX: IP66/67 Ta=45°C, Zone 2 Ex edms IIC T4

Mechanical impact (EN 50 102): IK 10

Available in 230V 50 or 60 Hz HF Ballast

Body of deep drawn Aluzink, Stove enamelled white epoxy/polyster powder finish.

Diffuser made of impact resisting polycarbonate (PK) or optionally chemical resistant (Kembest) material.

A white plate of Aluzink covers the electrical gear.

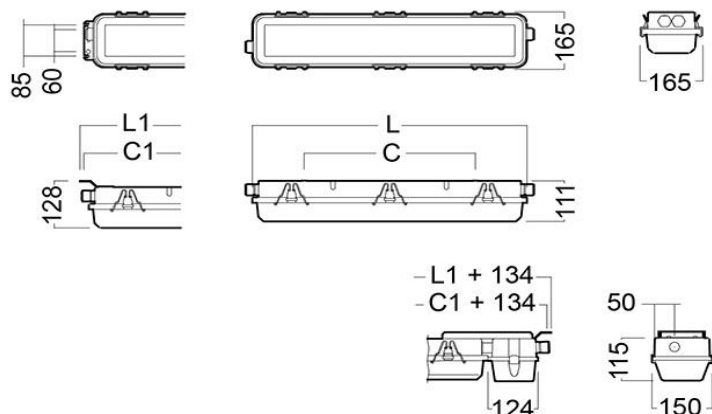
Two T8 lamps with Glamox zone 1 lamp holders.

Both sides one M20 gland and blind plug. Trough wiring (TW) 6x2.5 mm² is standard.

Emergency lights possible (E1) one hour (E3) three hour.



Number	Description	Watt	Volt/Hz	L in mm	C in mm
89GL1151	MAX-Z 67 218HF TW PK	2x18W	230/50	724	704
89GL1152	MAX-Z 67 236HF TW PK	2x36W	230/50	1334	1314



Aqua Signal pressure watertight luminaire series 0673

Save down to 20 meter water depth. Removable gear tray. Wash resistant.
 For deck and deck rails. Zinc coated steel sheet gear tray, powder coated RAL 9016
 Clear polycarbonate cover tube, 4 mm thickness and polycarbonate end caps.
 Light source T8 fluorescent lamp.

Fixing by means of 2 clamps (not included) to order separately.

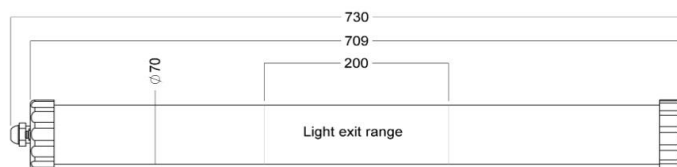
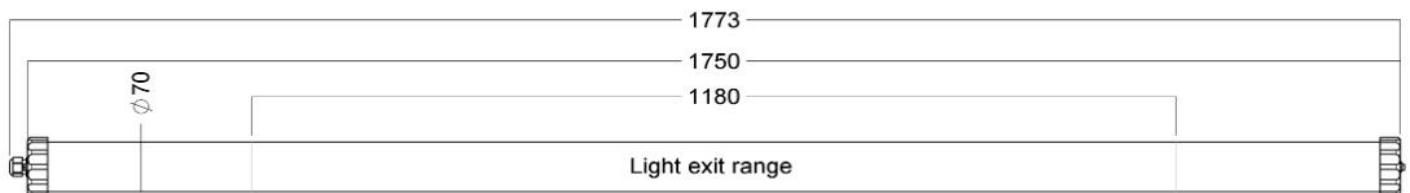
TW = Through wiring

Cable glands M20x1,5 (cable Ø 6-12mm) M25x1,5 (cable Ø 13-18mm)

h.p.f.c. = high power factor corrected

Number	Description	L in mm	W in mm	D in mm	TW
89AQ0673006000	1 x 18W M20 230V 50Hz	1163	83	70	
89AQ0673008000	1 x 18W M20 220/230V 60Hz	1163	83	70	
89AQ0673006001	1 x 18W M20 230V 50Hz	1163	83	70	*
89AQ0673008001	1 x 18W M20 220/230V 60Hz	1163	83	70	*
89AQ0673306000	1 x 36W M20 230V 50Hz	1773	83	70	
89AQ0673308000	1 x 36W M20 220/230V 60Hz	1773	83	70	
89AQ0673306001	1 x 36W M20 230V 50Hz	1773	83	70	*
89AQ0673308001	1 x 36W M20 220/230V 60Hz	1773	83	70	*
89AQ0673506000	1 x 18W M20 230V 50Hz TC-L	735	83	70	

Number	Description
89AQ0673B	Set fixing clamps 0673 polyamide
89AQ0673C	Set fixing clamps 0673 Stainless steel Heavy duty



Aqua Signal pressure watertight LED luminaire series 0673

Fully watertight up to 20 meter water depth, IP68

For deck and deck rails. Zinc coated steel sheet gear tray, powder coated RAL 9016

Clear polycarbonate cover tube, 4 mm thickness and polycarbonate end caps.

Fixing by means of 2 clamps (not included) to order separately.

Cable gland M20x1,5 (cable Ø 6-12mm)

Voltage 110/230V +/-10% 50/60Hz +/-5%

Light color 4000K CRI >80

Number	Description	L in mm	W in mm	D in mm	TW
89AQ0673102000	1 x 10/13W M20 1245 lumen	803	83	70	
89AQ0673102001	1 x 10/13W M20 1245 lumen	826	83	70	*
89AQ0673104001	1 x 20/24W M20 2517 lumen	1390	83	70	*



Mirror light Glamox TL14

Universal luminaire for marine environment for above bed or bathroom.

Approved by GL for marine use (Germanische Lloyd).

The housing comes in electro-galvanized steel with white epoxy/polyester powder finish white RAL 9016.

End caps are moulded from impact resistant and incombustible plastic.

The diffuser is made of polycarbonate.

IP44 for wall mounting in bathrooms as well other applications.

Available without switch or with 2-pole switch integrated (type S).

Also available with transformer and universal razor socket

with selector 110-230V (type U).

Also available with Schuko socket (type SC) and Switch + Schuko socket (type SSC).

One cable gland (grommet) for max. Ø 20,5mm cable.

For fluorescent tube lamps T5 and T8 (not included).

Number	Description	Dimension	Extra
89GLTL14000753	1x8W 220/240V 50/60Hz	316x58x107mm	-
89GLTL14000760	1x8W 220/240V 50/60Hz	316x58x107mm	S
89GLTL14000777	1x8W 220/240V 50/60Hz	316x58x107mm	SSC
89GLTL14000814	1x15W 220/240V 50/60Hz	486x58x107mm	-
89GLTL14000845	1x15W 220/240V 50/60Hz	486x58x107mm	S
89GLTL14000821	1x15W 220/240V 50/60Hz	486x58x107mm	U
89GLTL14000852	1x15W 220/240V 50/60Hz	486x58x107mm	SU
89GLTL14000869	1x15W 220/240V 50/60Hz	486x58x107mm	SSC
89GLTL14000913	1x18W 220/240V 50/60Hz	637x58x107mm	-
89GLTL14000944	1x18W 220/240V 50/60Hz	637x58x107mm	S
89GLTL14000920	1x18W 220/240V 50/60Hz	637x58x107mm	U
89GLTL14000951	1x18W 220/240V 50/60Hz	637x58x107mm	SU
89GLTL14000968	1x18W 220/240V 50/60Hz	637x58x107mm	SSC
89GLTL14001019	1x36W 220/240V 50/60Hz	1247x58x107mm	-
89GLTL14183852	LED 15W 220/230V 50/60Hz	486x65x107mm	SU
89GLTL14183821	LED 15W 230V 50/60Hz	486x65x107mm	U
89GLTL14183920	LED 18W 230V 50/60Hz	637x65x107mm	U
89GLTL14183951	LED 18W 230V 50/60Hz	637x65x107mm	SU
89GLTL14184852	LED 14W 230V 50/60Hz	486x65x107mm	SU

