

**Impact socket Type K19 1/2"**

According to DIN 3129, ISO 2725-2  
 Suitable for all standard electric and air tools  
 Square drive as per DIN 3121-G12,5, ISO1174

Number	Size
23DK1910	10 mm
23DK1911	11 mm
23DK1912	12 mm
23DK1913	13 mm
23DK1914	14 mm
23DK1915	15 mm
23DK1916	16 mm
23DK1917	17 mm
23DK1918	18 mm
23DK1919	19 mm
23DK1920	20 mm
23DK1921	21 mm
23DK1922	22 mm
23DK1923	23 mm
23DK1924	24 mm
23DK1927	27 mm



Number	Description
--------	-------------

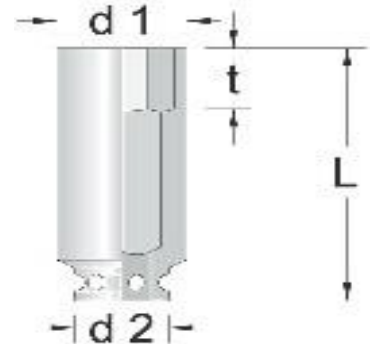
23K19028	Impact socket set 5 pieces <b>Type K19-028</b> sockets 10, 13, 17, 19, 24 In plastic case.
----------	---



**Impact socket Type K19L 1/2"**

Square drive as per DIN 3121-G12,5, ISO1174  
 Suitable for all standard electric and air tools  
 Extra long pattern.

Number	Size	Lenght
23DKL1908	8 mm	77 mm
23DKL1910	10 mm	77 mm
23DKL1913	13 mm	77 mm
23DKL1914	14 mm	77 mm
23DKL1916	16 mm	77 mm
23DKL1917	17 mm	77 mm
23DKL1918	18 mm	82 mm
23DKL1919	19 mm	82 mm
23DKL1921	21 mm	82 mm
23DKL1922	22 mm	82 mm
23DKL1923	23 mm	82 mm
23DKL1924	24 mm	82 mm
23DKL1927	27 mm	82 mm



**Impact socket Type IN K 19(1/2")**

For in-hex screws  
 Suitable for all standard electric and air tool-  
 Square drive form H

Number	Size
23DINK1905	5 mm
23DINK1906	6 mm
23DINK1908	8 mm
23DINK1910	10 mm
23DINK1912	12 mm
23DINK1914	14 mm
23DINK1917	17 mm



Number	Description
--------	-------------

23KB1930	<b>Reducer 1930</b> 1/2" fem. - 3/8" male.
----------	---



23KB1932	<b>Reducer 1932</b> 1/2" - 3/4" fem. - male.
----------	--



**Extensions 1/2" connection**

Number	Description
--------	-------------

23KB199005	Extension 125 mm Type KB1990-5
23KB199010	Extension 250 mm Type KB1990-10



Number	Description
--------	-------------

23KB1995	<b>Universal Joint</b> Type 1995 1/2" fem. - 1/2" male.
----------	---



Number	Description
--------	-------------

23KB19701014	<b>Safety ring Ø 19</b> mm for K19 10-14 mm
23KB19701527	<b>Safety ring Ø 25</b> mm for K19 15-32 mm
23KB19751014	<b>Safety pin Ø 3</b> mm for K19 10-14 mm
23KB19751527	<b>Safety pin Ø 3</b> mm for K19 15-32 mm



**Impact socket Type K32 (3/4")**

According to DIN 3129, ISO 2725-2  
Suitable for all standard electric and air tools  
Square drive as per DIN 3121-H20, ISO1174

Number	Size
--------	------

23DK3217	17 mm
23DK3218	18 mm
23DK3219	19 mm
23DK3222	22 mm
23DK3224	24 mm
23DK3227	27 mm
23DK3230	30 mm
23DK3232	32 mm
23DK3233	33 mm



Number	Size
--------	------

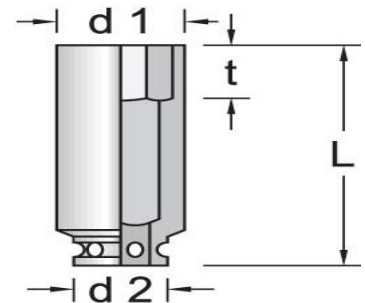
23DK3234	34 mm
23DK3236	36 mm
23DK3238	38 mm
23DK3241	41 mm

**Impact socket Type K32L (3/4")**

Square drive as per DIN 3121-H20, ISO1174  
Suitable for all standard electric and air tools  
Extra long pattern.

Number	Size	Length
--------	------	--------

23DKL3217	17 mm	100 mm
23DKL3218	18 mm	100 mm
23DKL3219	19 mm	100 mm
23DKL3222	22 mm	100 mm
23DKL3224	24 mm	100 mm
23DKL3227	27 mm	100 mm
23DKL3230	30 mm	100 mm
23DKL3232	32 mm	100 mm
23DKL3233	33 mm	100 mm
23DKL3234	34 mm	100 mm
23DKL3236	36 mm	100 mm
23DKL3241	41 mm	100 mm



**Impact socket Type IN K 32 (3/4")**

For in-hex screws  
Suitable for all standard electric and air tools  
Square drive form H

Number	Size
--------	------

23DINK3214	14 mm
23DINK3217	17 mm
23DINK3219	19 mm
23DINK3222	22 mm
23DINK3224	24 mm
23DINK3227	27 mm



Number	Description
--------	-------------

23KB2319	<b>Reducer Type KB 3219</b> 3/4" fem. - 1/2" male.
----------	---

23KB3221	<b>Reducer Type KB 3221</b> 3/4" fem. - 1" male.
----------	---



**Extensions 3/4" connection**

Number	Description
--------	-------------

23KB329008	Extension 205 mm Type KB3290-8
23KB329012	Extension 300 mm Type KB3290-12
23KB329016	Extension 405 mm Type KB3290-16

Number	Description
--------	-------------

23KB3295	<b>Universal joint</b> Type 3295 3/4" fem. - 3/4" male.
----------	---

Number	Description
--------	-------------

23KB3270	<b>Safety ring</b> Ø 36 mm
23KB3275	<b>Safety pin</b> Ø 4 mm x L = 35 mm

**Impact socket set Type K32-040 (3/4" )**

Set of 4 pieces with sockets size 24, 27, 30, 33 mm  
In plastic case

Number	Description
--------	-------------

23K32040	<b>Set 4 pieces Type K32-040</b>
----------	----------------------------------

**Impact socket Type K21 (1")**

According to DIN 3129, ISO 2725-2  
Suitable for all standard electric and air tools  
Inner square as per DIN 3121-H25, ISO1174

Number	Size
--------	------

23DK2122	22 mm
23DK2124	24 mm
23DK2127	27 mm
23DK2130	30 mm
23DK2132	32 mm
23DK2133	33 mm
23DK2134	34 mm
23DK2136	36 mm
23DK2138	38 mm
23DK2141	41 mm
23DK2142	42 mm
23DK2146	46 mm
23DK2150	50 mm
23DK2155	55 mm
23DK2160	60 mm



Number	Size
--------	------

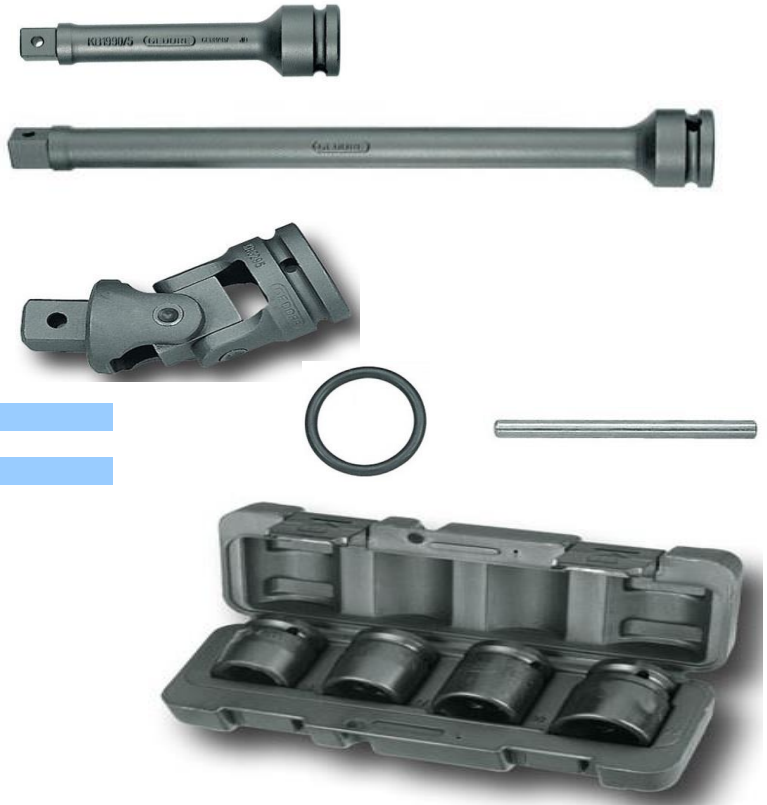
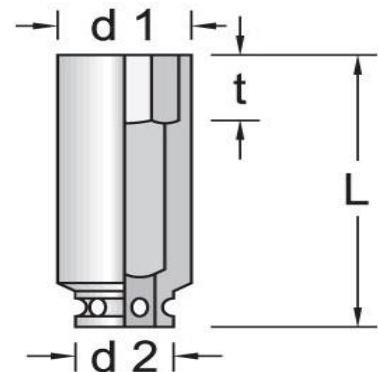
23DK2165	65 mm
23DK2170	70 mm
23DK2175	75 mm
23DK2180	80 mm

**Impact socket Type K21L (1")**

Inner square as per DIN 3121-H25, ISO1174  
Suitable for all standard electric and air tools  
Extra long pattern.

Number	Maat
--------	------

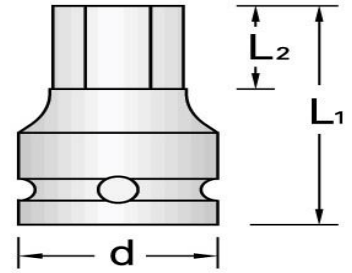
23DKL2122	22 mm
23DKL2124	24 mm
23DKL2127	27 mm
23DKL2130	30 mm
23DKL2132	32 mm
23DKL2133	33 mm
23DKL2134	34 mm
23DKL2136	36 mm
23DKL2138	38 mm
23DKL2141	41 mm
23DKL2146	46 mm



**Impact socket Type IN K 21 ( 1" )**

For in-hex screws  
Suitable for all standard electric and air tools  
Met binnenvierkant vorm H

Number	Size
23DINK2119	14 mm
23DINK2122	17 mm
23DINK2124	19 mm
23DINK2127	22 mm
23DINK2132	24 mm
23DINK2136	27 mm



**Extensions 1" connection**

Number	Description
23KB219008	Extension 208 mm Type KB2190-8
23KB219012	Extension 300 mm Type KB2190-12
23KB219016	Extension 405 mm Type KB2190-16



Number	Description
23KB2132	<b>Reducer</b> Type KB2132 1" fem. - 3/4" male.
23KB2137	<b>Reducer</b> Type KB2137 1" fem. - 3/4" male.



Number	Description
23KB2170	<b>Safety ring</b> Ø 45 mm
23KB2175	<b>Safety pin</b> Ø 5 mm L = 45 mm
23KB3770	<b>Safety ring</b> Ø 75 mm for sockets 75 en 80 mm
23KB3775	<b>Safety pin</b> Ø 6 mm L = 75 mm for sockets 75 en 80 mm



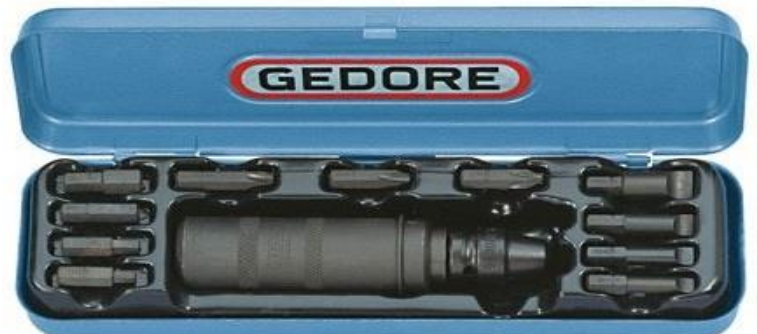
Number	Description
23KB2195	<b>Universal joint</b> Type 2195 1" fem. - 1" male.



**Hand-operated impact driver Type K1900**

Particularly suitable for loosening tight bolts or screws with the aid of a hammer.  
Reversible for right and left hand operation.

Number	Description
23K1900	<b>Separate Driver K9100</b>
23K1900013	<b>Set K1900-013</b> Contains: Bits slotted 7, 8, 9, 10 mm Bits hex 5, 6, 8, 10 mm Bits Phillips 2, 3, 4L In Gedorit blue sheet steel case.





**Impact socket Type 37 (1 1/2")**

According to DIN 3129, ISO 2725-2

Suitable for all standard electric and air tools

Inner square as per DIN 3121-H40, ISO1174

Number	Size
23DK37046	46 mm
23DK37050	50 mm
23DK37055	55 mm
23DK37060	60 mm
23DK37065	65 mm
23DK37070	70 mm
23DK37075	75 mm
23DK37080	80 mm



Number	Size
23DK37085	85 mm
23DK37090	90 mm
23DK37095	95 mm
23DK37100	100 mm
23DK37105	105 mm
23DK37110	110 mm
23DK37115	115 mm
23DK37120	120 mm

**Impact socket Type K37L (1 1/2")**

Inner square as per DIN 3121-H40, ISO1174

Suitable for all standard electric and air tools

Extra long pattern.

Number	Size
23DKL37041	41 mm
23DKL37046	46 mm
23DKL37050	50 mm
23DKL37055	55 mm
23DKL37060	60 mm
23DKL37065	65 mm
23DKL37070	70 mm
23DKL37075	75 mm
23DKL37080	80 mm



Number	Size
23DKL37085	85 mm
23DKL37090	90 mm
23DKL37095	95 mm
23DKL37100	100 mm
23DKL37105	105 mm
23DKL37110	110 mm
23DKL37115	115 mm
23DKL37120	120 mm

Number	Description
23KB3721	<b>Converter</b> Type KB3721 1 1/2" Inw. - 1" Uitw.
23KB3764	<b>Converter</b> Type KB3764 1 1/2" Inw. - 2 1/2" Uitw.



Number	Description
23KB3770	<b>Safety ring</b> Ø 75 mm
23KB3775	<b>Safety pin</b> Ø 6 mm L = 75 mm
23KB6470	<b>Safety ring</b> Ø 114 mm for sockets > 95 mm
23KB6475	<b>Safety pin</b> Ø 8 mm L = 110 mm for sockets > 95 mm



**Impact socket Type 64 (2 1/2")**

According to DIN 3129, ISO 2725-2

Suitable for all standard electric and air tools

Inner square as per DIN 3121-H63, ISO1174

Number	Size
23DK64075	46 mm
23DK64080	50 mm
23DK64085	55 mm
23DK64090	60 mm
23DK64095	65 mm
23DK64100	70 mm
23DK64105	75 mm
23DK64110	80 mm
23DK64115	85 mm
23DK64120	90 mm



Number	Description
23KB6437	<b>Reducer</b> Type KB6437 2 1/2" fem. - 1 1/2" male.



23KB6470	<b>Safety ring</b> Ø 114 mm
23KB6475	<b>Safety pin</b> Ø 8 mm L = 110 mm

