

Hand tools Gedore
Combination spanners
Open end spanners
Combination ratched spanners
Double ended ring spanners
Adjustable wrenches
Slogging spanners
Single end ring spanners
Double end spanners



Repair Management Nederland B.V.
 More management less firefighting

Combination spanner type 1B

Din 3113 Iso 3318 form B Iso 7738, chrome-plated
 Ring end 10° offset, from size 7 mm with 12 pointed ring

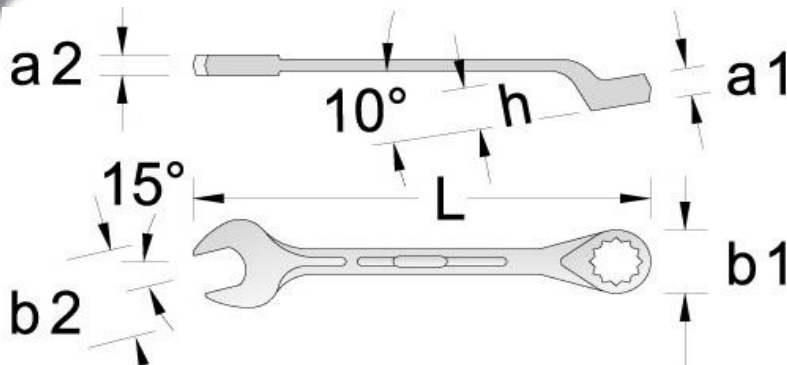
Number	Size
231B05	5 mm
231B055	5,5 mm
231B06	6 mm
231B07	7 mm
231B08	8 mm
231B09	9 mm
231B10	10 mm
231B11	11 mm
231B12	12 mm
231B13	13 mm
231B14	14 mm
231B15	15 mm
231B16	16 mm
231B17	17 mm
231B18	18 mm
231B19	19 mm
231B20	20 mm
231B21	21 mm
231B22	22 mm
231B23	23 mm
231B24	24 mm



Number	Size
231B25	25 mm
231B26	26 mm
231B27	27 mm
231B28	28 mm
231B29	29 mm
231B30	30 mm
231B32	32 mm
231B33	33 mm
231B34	34 mm
231B36	36 mm
231B38	38 mm
231B41	41 mm
231B46	46 mm
231B50	50 mm
231B55	55 mm
231B60	60 mm
231B65	65 mm
231B70	70 mm
231B75	75 mm
231B80	80 mm



Number	Set contains
231BSET080	Set 8-9-10-11-13-14-17-19 mm, total 8 spanners
231BSET011	Set 8-9-10-11-12-13-14-15-17-19-22 mm, total 11 spanners
231BSET012	Set 10-11-12-13-14-17-19-22-24-27-30-32 mm, total 12 spanners
231BSET026	Set 6-7-8-9-10-11-12-13-14-15-16-17-18-19-20-21-22-23-24-25-26-27-28-29-30-32 mm, total 26 spanners



Gedore combination spanner type 7XL

With same size each end, extra long

Similar to DIN 3113

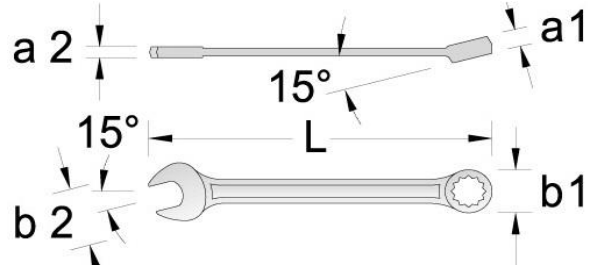
Gedore vanadium steel 31CrV3

Chrome-plated, ring 15° offset



Number	Size
237XL07	7 mm
237XL08	8 mm
237XL09	9 mm
237XL10	10 mm
237XL11	11 mm
237XL12	12 mm
237XL13	13 mm
237XL14	14 mm
237XL15	15 mm
237XL16	16 mm
237XL17	17 mm
237XL18	18 mm
237XL19	19 mm
237XL21	21 mm
237XL22	22 mm
237XL23	23 mm
237XL24	24 mm
237XL27	27 mm

Number	Size
237XL32	32 mm
237XL33	33 mm
237XL34	34 mm
237XL36	36 mm
237XL41	41 mm
237XL46	46 mm



Number	Set contains
237XLSET080	Set 8-9-10-11-13-14-17-19 mm, total 8 spanners
237XLSET111	Set 8-9-10-11-12-13-14-15-17-19-22 mm, total 11 spanners
237XLSET012	Set 10-11-12-13-14-17-19-22-24-27-30-32 mm, total 12 spanners



Gedore open ended spanner with ring ratchet type 7R

Flat pattern, fine-toothed (72 teeth) for ratchet loosening and fast tightening.

High torque transfer.

Number	Size
237R07	7 mm
237R08	8 mm
237R09	9 mm
237R10	10 mm
237R11	11 mm
237R12	12 mm
237R13	13 mm
237R14	14 mm
237R15	15 mm
237R16	16 mm
237R17	17 mm

Number	Size
237R18	18 mm
237R19	19 mm
237R22	22 mm
237R24	24 mm
237R27	27 mm
237R30	30 mm
237R32	32 mm



Number	Set contains
237R005	8-10-13-17-19 mm Total 5 spanners In plastic case
237R012	8-9-10-11-12-13-14, 15-16-17-18-19 mm Total 12 spanners In sheet metal case

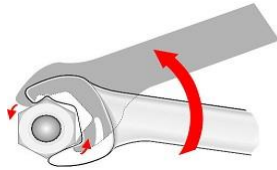


Gedore combination ratchet spanner type 7UR

Ring offset (13°) with fine toothed ring ratchet (72 teeth) with lever change

Number	Size
237UR08	8 mm
237UR09	9 mm
237UR10	10 mm
237UR11	11 mm
237UR12	12 mm
237UR13	13 mm
237UR14	14 mm
237UR15	15 mm
237UR16	16 mm
237UR17	17 mm
237UR18	18 mm

Number	Size
237UR19	19 mm
237UR22	22 mm
237UR24	24 mm



Number	Set contains
237URSET012	Set 8-9-10-11-12-13-14-15-16-17-18-19 mm Total 12 spanners In sheet metal case

Gedore Double ended ring spanner type 2

Rings deep offset, strong but thin walls
To DIN 838, ISO 3318, ISO 1085, ISO 10104 (only metric sizes)
Gedore vanadium steel 31CrV3, chrome-plated

Number	Size
23025507	5,5x7
23020607	6x7
23020708	7x8
23020809	8x9
23020810	8x10
23020911	9x11
23021011	10x11
23021012	10x12
23021013	10x13
23021113	11x13
23021114	11x14
23021213	12x13
23021214	12x14
23021314	13x14
23021315	13x15
23021415	14x15
23021316	13x16
23021317	13x17
23021417	14x17
23021617	16x17
23021719	17x19
23021819	18x19
23021821	18x21
23021922	19x22
23022022	20x22

Number	Size
23021924	19x24
23022123	21x23
23022124	21x24
23022224	22x24
23022227	22x27
23022426	24x26
23022427	24x27
23022430	24x30
23022528	25x28
23022729	27x29
23022730	27x30
23022732	27x32
23023032	30x32
23023034	30x34
23023036	30x36
23023236	32x36
23023436	34x36
23023641	36x41
23023842	38x42
23024146	41x46
23024650	46x50
23025560	55x60
23026570	65x70
23027580	75x80
23028590	85x90



Number	Set contains
2302SET0206	Set 6x7, 8x9, 10x11, 12x13, 14x15, 16x17 mm total 6 pcs
2302SET0208	Set 6x7, 8x9, 10x11, 12x13, 14x15, 16x17, 18x19, 20x22 mm total 8 pcs
2302SET0210	Set 6x7, 8x9, 10x11, 12x13, 14x15, 16x17, 18x19, 20x22, 21x23, 24x27mm
2302SET0212	Set 6x7, 8x9, 10x11, 12x13, 14x15, 16x17, 18x19, 20x22, 21x23, 24x27 25x28, 27x32 mm total 12 pcs



Gedore adjustable wrench open end, phosphated Type 60P -62P

Size 6" - 18" = DIN 3117 form A, jaw set = 15°

Size 24" = DIN 3117 form B, jaw set = 22,5°

Swedish pattern, roller with left hand thread.

Number	Inch	Mm	Jaw mm
2360P06	6"	155 mm	20

Number	Inch	Maat	Jaw mm
2360P08	8"	205 mm	25
2360P10	10"	255 mm	30
2360P12	12"	305 mm	36
2362P15	15"	380 mm	43
2362P18	18"	455 mm	53
2362P24	24"	610 mm	63



Gedore Open ended slogging spanner Type 133

For very heavy-duty work

To DIN 133 (only metric sizes)

Number	Size
23133027	27 mm
23133030	30 mm
23133032	32 mm
23133034	34 mm
23133036	36 mm
23133041	41 mm
23133046	46 mm
23133050	50 mm
23133055	55 mm
23133060	60 mm
23133065	65 mm
23133070	70 mm
23133075	75 mm
23133080	80 mm
23133085	85 mm
23133090	90 mm
23133095	95 mm

Number	Size
23133100	100 mm
23133105	105 mm
23133110	110 mm
23133115	115 mm
23133120	120 mm
23133125	125 mm
23133130	130 mm
23133135	135 mm
23133140	140 mm
23133145	145 mm
23133150	150 mm
23133155	155 mm
23133160	160 mm
23133165	165 mm
23133170	170 mm
23133175	175 mm



Gedore Ring slogging spanner Type 306

For very heavy-duty work

To DIN 7444 (only metric sizes)

Number	Size
23306024	24 mm
23306027	27 mm
23306030	30 mm
23306032	32 mm
23306034	34 mm
23306036	36 mm
23306041	41 mm
23306046	46 mm
23306050	50 mm
23306055	55 mm
23306060	60 mm
23306065	65 mm
23306070	70 mm
23306075	75 mm
23306080	80 mm
23306085	85 mm
23306090	90 mm
23306095	95 mm

Number	Size
23306100	100 mm
23306105	105 mm
23306110	110 mm
23306115	115 mm
23306120	120 mm
23306125	125 mm
23306130	130 mm
23306135	135 mm
23306140	140 mm
23306145	145 mm
23306150	150 mm
23306155	155 mm
23306160	160 mm
23306165	165 mm
23306170	170 mm
23306175	175 mm



Gedore Single ended ring spanner deep offset Type 2A

Heavy duty pattern for highest torques
Gedore vanadium steel 31CrV3, chrome-plated

Number	Size	Number	Size
232A024	24 mm	232A055	55 mm
232A027	27 mm	232A060	60 mm
232A030	30 mm	232A065	65 mm
232A032	32 mm	232A070	70 mm
232A034	34 mm	232A075	75 mm
232A036	36 mm	232A080	80 mm
232A041	41 mm	232A085	85 mm
232A046	46 mm	232A090	90 mm
232A050	50 mm	232A095	95 mm

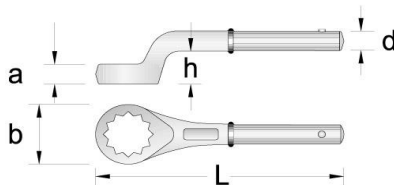


Gedore Extension tube for single ended spanner Type 2AR

Number	For size	Length
232AR0	24-30 mm	460 mm
232AR1	32-41 mm	610 mm
232AR2	46-55 mm	760 mm
232AR3	60-95 mm	860 mm



Number	Set contains
232ATM	Set in sizes 24, 27, 30, 32, 36, 41, 46, 50, 55, 60, 65, 70, 75, 80, 85 en extension tubes nrs 0, 1, 2, 3 total 19 pcs Including a sheet metal sheet tool board fitted with toll hooks.



Gedore Double ended spanner Type 6

To DIN 3110, ISO 3318, ISO 1085, ISO 10102 (only metric)
Slim pattern, oval shaft
Gedore vanadium steel 31CrV3, chrome plated

Number	Size	Number	Size
23060607	6x7	23062430	24x30
23060708	7x8	23062730	27x30
23060809	8x9	23062732	27x32
23060810	8x10	23063032	30x32
23061011	10x11	23063034	30x34
23061013	10x13	23063036	30x36
23061113	11x13	23063236	32x36
23061213	12x13	23063436	34x36
23061214	12x14	23063641	36x41
23061314	13x14	23064146	41x46
23061315	13x15	23064650	46x50
23061316	13x16		
23061415	14x15	2306SET0608	6 pcs
23061317	13x17	Sizes 6x7, 8x9, 10x11, 12x13,	
23061417	14x17	14x15, 16x17, 18x19, 20x22	
23061617	16x17	2306SET06100	10 pcs
23061618	16x18	Sizes 6x7, 8x9, 10x11, 12x13,	
23061719	17x19	14x15, 16x17, 18x19, 20x22,	
23061819	18x19	24x27, 30x32	
23061821	18x21		
23061922	19x22		
23061924	19x24		
23062124	21x24		
23062224	22x24		
23062427	24x27		

