



Repair Management Nederland B.V.

More management less firefighting

Glamox LED Fluorescent luminaires type MIR-Z 67 IP66/67

Glamox has developed the MIR LED Solutions consisting of the new MIR LED and the MIR LED Replacement Kit.

Easy to make a lower energy consuming luminaire with this replacement kit.

MIR LED based on a long experience in the marine and offshore segment, and is designed for technical rooms, engine rooms and on-deck applications.

Replacing the existing fluorescent tubes in MIR can reduce power consumption with more than 50%.

Not only saving on energy cost but also reducing maintenance cost due to the longer life time of the light source.

The MIR LED is equipped with a quick connector for easy and fast replacement in standard MIR with fluorescent tubes. The replacement kit is available in 2000, 2500 and 5000 lumen.

Its approved for temperatures down to -30°C and up to +45°C.

The MIR LED Replacement Kit is available with the same light output as MIR with T8 tubes.

This means that you can change from tubes to LED one to one with the new MIR LED Replacement Kit.

Specifications MIR T8:

Available in 230V 50 or 60 Hz, and 110V 60Hz

Body of deep Aluzink, Stove enamelled white epoxy/polyster powder finish.

Diffuser made of impact resisting polycarbonate (PK) or optionally chemical resistant (Kembest) material.

A white plate of Aluzink covers the electrical gear.

Two T8 lamps with spring loaded lamp holders.

Optionally with an electronic ballast possible.

Both sides one M20 gland and blind plug. Trough wiring (TW) 5x2.5 mm² is standard.

MIR LED:

Optional available with internal or external backup battery for emergency lighting

Available in 2 lengths as 18W (681mm) and 36W (1291mm) Fluo luminaire.

Nemko Marine Approved

Lifetime 80.000 hour at +45 °C ambient temperature, what means that maintenance is reduced to a minimum.

Vibration resisitant and for IP Class IP54 and IP66/67

diffusor is designed to reduce glare and deliver excellent evenness.

Number	Description	Lumen	Wattage	Voltage	Colour
89MIR078940	MIR Kit LED 2500 HF 840 Replacement Kit for MIR T8 2x18W	2569 lumen	19 Watt	220/240 50/60Hz	4000K
89MIR078941	MIR Kit LED 5000 HF 840 Replacement Kit for MIR T8 2x36W	5040 lumen	35 Watt	220/240 50/60Hz	4000K
89MIR078954	MIR Kit LED 2000 HF 840 Replacement Kit for MR T8 2x18W	1926 lumen	14 Watt	220/240 50/60Hz	4000K



Complete MIR LED luminaires.

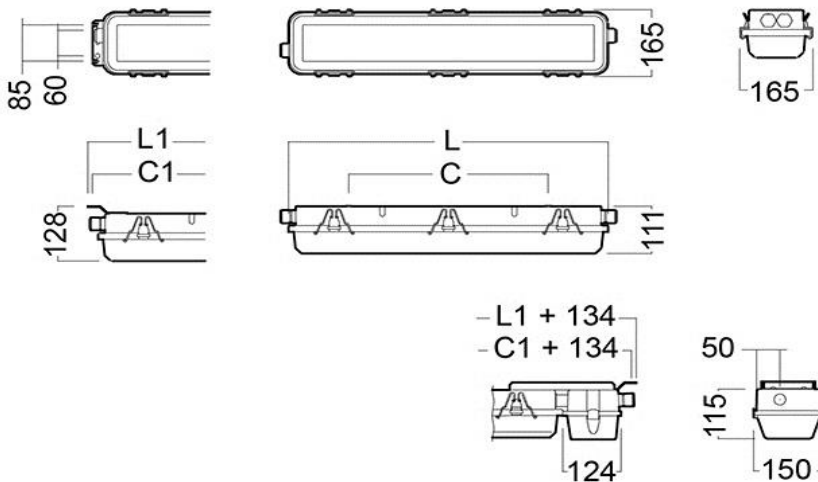
MIR-Z provide with an Alu-zinc body and polycarbonate diffuser, MIR-S with a Stainless steel body.

Both with a Epoxy powder coated white finish. MIR 67 = IP66/67, MIR 54 = IP54

Rated lifetime at Ta 25°C 90.000h and at Ta Max 70.000h

Ambient temperature -25°C up to +45°C.

Number	Description	Lumen	Wattage	Voltage	Colour
89MIR078892	MIR-Z 67 LED 2500 HF 840 With 2 pieces M20 cable glands	2569	19	220/240 50/60Hz	4000K
89MIR078893	MIR-Z 67 LED 5000 HF 840 With 2 pieces M20 cable glands	5040	35	220/240 50/60Hz	4000K
89MIR078908	MIR-S 67 LED 2500 HF 840 With 2 pieces M20 cable glands	2569	19	220/240 50/60Hz	4000K
89MIR078905	MIR-S 67 LED 5000 HF 840 With 2 pieces M20 cable glands	5040	35	220/240 50/60Hz	4000K
89MIR078906	MIR-S 67 LED 2500 HF 840 With 2 pieces M25 cable glands	2569	19	220/240 50/60Hz	4000K
89MIR078887	MIR-Z 54 LED 2500 HF 840 With 2 pieces M20 cable glands	2569	19	220/240 50/60Hz	4000K
89MIR078888	MIR-Z 54 LED 5000 HF 840 With 2 pieces M20 cable glands	5040	35	220/240 50/60Hz	4000K



Optional available with brass cable glands instead of polyamide cable glands, backup battery for emergency light unit and with a dimmable LED driver.