

Faerber luminaires type Uniform SM + AM, body made of extruded corrosion resistant aluminium (alloy 6060, oxidized 15 micron hot fixed at 95°C) natural anodized.

suitable as single installation or on request in continuous line. Headpieces in aluminium alloy (EN AB 46100) painted with polyester powders color grey RAL 9006. Tempered protection glass fixed by hinge to the body ensuring watertight closing by clips in extruded natural anodized aluminium (alloy 6060) with levers in stainless steel. Galvanized steel electrical accessoiris plate. Easy to maintain. One stainless steel cable plug PG13,5, and cable gland PG13,5. Symmetrical and Asymmetrical high output oxidized and brightened anodised aluminium reflector. Silicone gasket directly injected to the glass diffuser. Types for fluorescent- and high pressure lamps. All extrnal screws in stainless steel AISI304. Protection class **IP66**

Number	Description	Ballast	Reflector
894010	1 x 49W T5	E	Symetric
894011	2 x 49W T5	E	Symetric
894012	3 x 49W T5	E	Symetric
894013	1 x 58W T8	C	Symetric
894014	2 x 58W T8	C	Symetric
894015	3 x 58W T8	C	Symetric
894016	2 x 55W Compact TL	E	Symetric



Number	Description	Ballast	Reflector
894017	E40	nvt	Symetric
894018	1 x 100W RNP-T/LR		Symetric
894019	1 x 150W RNP-T/LR		Symetric
894020	1 x 250W HRI-T NSC/S		Symetric
894021	1 x 250W RNP-T/LR		Symetric
894022	1 x 400 W HRI-T NSC/S		Symetric
894023	1 x 400 W RNP-T/LR		Symetric
894024	2 x E40	nvt	Symetric
894025	2 x 100W RNP-T/LR		Symetric
894026	2 x 150W RNP-T/LR		Symetric
894027	2 x 250W HRI-T NSC/S		Symetric
894028	2 x 250W RNP-T/LR		Symetric
894029	2 x 400 W HRI-T NSC/S		Symetric
894030	2 x 400 W RNP-T/LR		Symetric



RNP-T/LR = high pressure sodium lamp clear light
HRI-T NSC/S = High pressure metal halide lamp clear light

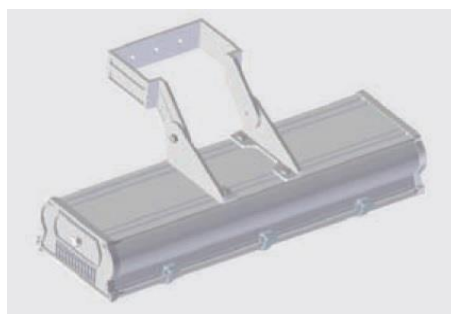
Number	Description	Ballast	Reflector
894031	1 x 49W T5	E	Asymetric
894032	1 x 58W T8	C	Asymetric
894033	2 x 55W Compact TL	E	Asymetric

Number	Description	Ballast	Reflector
894034	E40	nvt	Asymetric
894035	1 x 100W RNP-T/LR		Asymetric
894036	1 x 150W RNP-T/LR		Asymetric
894037	1 x 250W HRI-T NSC/S		Asymetric
894038	1 x 250W RNP-T/LR		Asymetric
894039	1 x 400 W HRI-T NSC/S		Asymetric
894040	1 x 400 W RNP-T/LR		Asymetric
894041	2 x E40	nvt	Asymetric
894042	2 x 100W RNP-T/LR		Asymetric
894043	2 x 150W RNP-T/LR		Asymetric
894044	2 x 250W HRI-T NSC/S		Asymetric
894045	2 x 250W RNP-T/LR		Asymetric
894046	2 x 400 W HRI-T NSC/S		Asymetric
894047	2 x 400 W RNP-T/LR		Asymetric

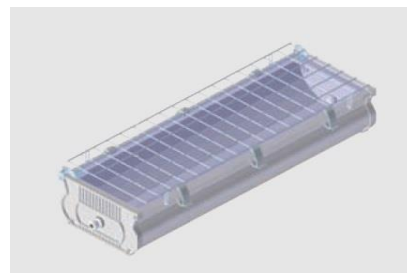


Accessories for Faeber Uniform fixtures

Number	Description
894050	Wall bracket STF-UM
894051	Pole top bracket RTP-UM For a pole with a top diameter of $\varnothing 60\text{mm}$
894052	Pole bracket ST-UM $\varnothing 48\text{mm}$
894053	Pole bracket ST-UM $\varnothing 60\text{mm}$
894054	Pole bracket ST-UM $\varnothing 76\text{mm}$



894060	Protection grid GRL-UM1 galvanized steel 723mm
894061	Protection grid GRL-UM2 galvanized steel 1323mm
894062	Protection grid GRL-UM3 galvanized steel 1603mm



Fluorescent fixtures Uniform L= 1650mm
 Fixtures for single discharge lamp L= 790mm
 Fixtures for double discharge lamp L= 1350mm

Lamps to order separate.

