

TEPEX LED FLXL ATEX Linear luminaire Zone 1-21, 2-22 IP66



TEPEX
make your work surroundings safer



rmn

TEPEX FLXL LED IP66 Linear Ex ATEX luminaire

For ATEX Zone 1-21-2-22

Housing made of aluminium powder painted casting

Diffuser strong borosilicate glass tube

Gasket of silicon

The light fitting is normally supplied with LED linear sources, two (2) cable entries M20 and wall/sealing mounting set.

For mounting in marine conditions we supply always with an special mounting set which clamps around the glass tube and avoid any galvanic corrosion. (separate article 2 pcs needed per luminaire).

LED strip with OVP, OCP, OTP protection.

Autonomous activation after recovery.

Suitable for linear lighting up to max. 20 modules.

Nominal voltage is standard 220-240V 50/60Hz, (110V on request) power factor >95

Operating temperatures -20°C ≤ Ta ≤ +50°C.

Lumen efficacy of **160 lm/W**

Standard color 4000K CRI >80

Estimated service life >50.000 hours at Ta +40°C

Standard protection IK08, IP66 Class1 (protective earthing)

Weight 5 kg (18W), 7 kg (36W), 9 kg (55W).

Marking of explosion protection Ex db eb op is IIC T6 Gb and Ex tb op is IIIC T 80°C Db

Apparatus category II 2G & II2D, Marking CE0722

Certificate FIDI 20 ATEX....

Connecting terminals L, N, PE, DALI, max 4mm² per terminal.

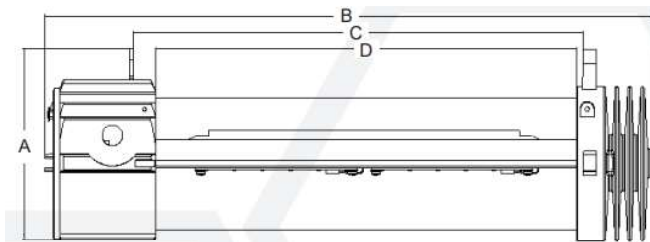
Cable entry 2x M20.

Mounting pendant, on pipe, wall, ceiling. Operates in any position.

Several spares and accessories available.

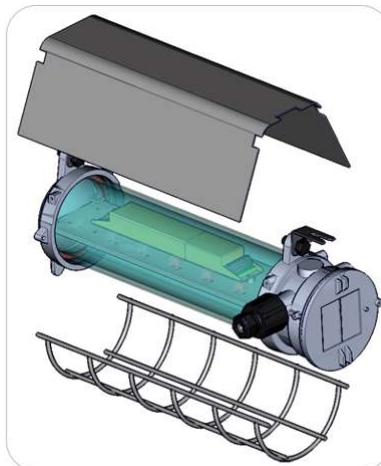


Article No.	Description	Wattage	Lumen output	LxWxH mm
83TEP1010	FLXL 18 LED	18W	2900 lm	362 x 220 x 174
83TEP1011	FLXL 36 LED	36W	5980 lm	552 x 408 x 174
83TEP1012	FLXL 55 LED	55W	9100 lm	682 x 450 x 174
83TEP05542CL	Marine mounting bracket SSA4			

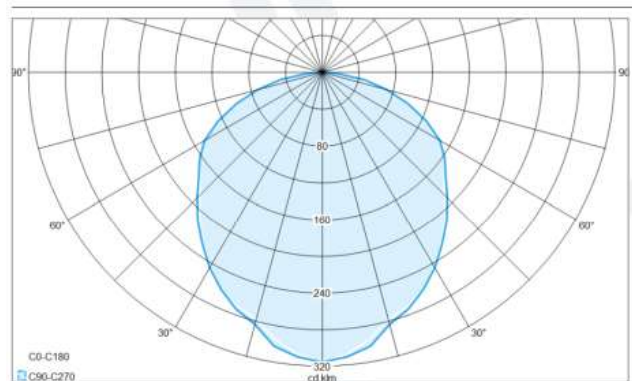


Type	A	B	C	D
FLXL 18	174	362	220	192
FLXL 36		552	408	382
FLXL 55		682	450	512

Article No.	Model	Description
83TEPFLX10120	FLX1 0-120	Cover gasket FLX
83TEP1016	FLXL LED 10-310	LED Module FLXL LED
83TEPFLXLED20140	FLX LED 20-140	Protective Grid FLX Set
83TEPFLXLED20150	FLX LED 20-150	External Reflector FLX
83TEPFLX20170	FLX 20-170	FLX Wall/ceiling mounting set
83TEPFLX20180	FLX 20-180	FLX Pipe mounting set



POLAR CURVE



Cable entry designation:

- 0 Ex db cable entry 2x M20
- 1 Ex db cable entry 2x 3/4" NPT
- 2 1x adapter type ADP 23/1 and one Ex db M20 plug
- 3 1x adapter type ADP 23/1 and 1x ADP 22/1 for DALI interface
- 4 2x adapter type ADP 23/1 for through wiring.