

Plugs, Connectors and Receptacles ATEX TEPEX

TEPEX EX ATEX Plugs, Couplers and Receptacles for Zone 1 - 21 - 2 - 22

Engineered and Made in Croatia.

Certificate: FIDI 21 ATEX 0052U, FIDI 21 ATEX 0049X, FIDI 21 ATEX 0050X, FIDI 21 ATEX 0051U

Protection degree IP66, IK10 shock resistant.

Apparatus category: II 2G, II2D.

Marking of explosion protection: Ex db eb IIC T6...T5 Gb, Ex tb IIIC T80°C... T95°C Db,

Ex db eb IIC Gb, Gb Ex tb IIIC Db.

Ambient temperature ATEX: -40°C ≤ Tamb ≤ +45°C/+55°C.

Rated voltage: from 50V to 690V and 16A to 32A

Cable entries:

Wall type socket: 1xM25 cable gland (cable diameter 8-17 mm)

Coupler type socket: cable diameter 8-18.5 mm

Plug: cable diameter 8-18.5 mm

Material: Polycarbonate/polyamide. **Type 0251-16A and T0252-32A.**

The exclusive interlock device is equipped with the plug and socket device. The switch is not turned on if it is not rotated and the plug can not be pulled out when the switch is turned on after the plug is inserted into the socket, which the non-live action is realized.

The protective covers are equipped on both plug and socket, which ensure the reliability of the protective degree. The protective cover of the wall socket is equipped with padlock openings. Therefore, the plug and socket device can be used under the extreme conditions.

TEPEX

make your work surroundings safer



Article No.	Type	Voltage	Amp	Poles
83TEP8000	Wall mounting socket outlet	20-25 VAC	16	2
83TEP8001	Panel mounting socket outlet	20-25 VAC	16	2
83TEP8002	Connector	20-25 VAC	16	2
83TEP8003	Plug	20-25 VAC	16	2
83TEP8004	Plug with cap	20-25 VAC	16	2

Article No.	Type	Voltage	Amp	Poles
83TEP8010	Wall mounting socket outlet	40-50 VAC	16	2
83TEP8011	Panel mounting socket outlet	40-50 VAC	16	2
83TEP8012	Connector	40-50 VAC	16	2
83TEP8013	Plug	40-50 VAC	16	2
83TEP8014	Plug with cap	40-50 VAC	16	2

Article No.	Type	Voltage	Amp	Poles
83TEP8020	Wall mounting socket outlet	20-50 VDC	16	2
83TEP8021	Panel mounting socket outlet	20-50 VDC	16	2
83TEP8022	Connector	20-50 VDC	16	2
83TEP8023	Plug	20-50 VDC	16	2
83TEP8024	Plug with cap	20-50 VDC	16	2

Article No.	Type	Voltage	Amp	Poles
83TEP8030	Wall mounting socket outlet	110-130 V	16	3
83TEP8031	Panel mounting socket outlet	110-130 V	16	3
83TEP8032	Connector	110-130V	16	3
83TEP8033	Plug	110-130V	16	3
83TEP8034	Plug with cap	110-130V	16	3

Article No.	Type	Voltage	Amp	Poles
83TEP8040	Wall mounting socket outlet	200-250 V	16	3
83TEP8041	Panel mounting socket outlet	200-250 V	16	3
83TEP8042	Connector	200-250 V	16	3
83TEP8043	Plug	200-250 V	16	3
83TEP8044	Plug with cap	200-250 V	16	3

Article No.	Type	Voltage	Amp	Poles
83TEP8050	Wall mounting socket outlet	200-250 V	16	4
83TEP8051	Panel mounting socket outlet	200-250 V	16	4
83TEP8052	Connector	200-250 V	16	4
83TEP8053	Plug	200-250 V	16	4
83TEP8054	Plug with cap	200-250 V	16	4

Article No.	Type	Voltage	Amp	Poles
83TEP8060	Wall mounting socket outlet	380-415 V	16	4
83TEP8061	Panel mounting socket outlet	380-415 V	16	4
83TEP8062	Connector	380-415 V	16	4
83TEP8063	Plug	380-415 V	16	4
83TEP8064	Plug with cap	380-415 V	16	4

Article No.	Type	Voltage	Amp	Poles
83TEP8070	Wall mounting socket outlet	480-500 V	16	4
83TEP8071	Panel mounting socket outlet	480-500 V	16	4
83TEP8072	Connector	480-500 V	16	4
83TEP8073	Plug	480-500 V	16	4
83TEP8074	Plug with cap	480-500 V	16	4

Article No.	Type	Voltage	Amp	Poles
83TEP8070	Wall mounting socket outlet	600-690 V	16	4
83TEP8071	Panel mounting socket outlet	600-690 V	16	4
83TEP8072	Connector	600-690 V	16	4
83TEP8073	Plug	600-690 V	16	4
83TEP8074	Plug with cap	600-690 V	16	4

Article No.	Type	Voltage	Amp	Poles
83TEP8080	Wall mounting socket outlet	200-415 V*	16	5
83TEP8081	Panel mounting socket outlet	200-415 V*	16	5
83TEP8082	Connector	200-415 V*	16	5
83TEP8083	Plug	200-415 V*	16	5
83TEP8084	Plug with cap	200-415 V*	16	5

Article No.	Type	Voltage	Amp	Poles
83TEP8090	Wall mounting socket outlet	200-250 V	32	4
83TEP8091	Panel mounting socket outlet	200-250 V	32	4
83TEP8092	Connector	200-250 V	32	4
83TEP8093	Plug	200-250 V	32	4
83TEP8094	Plug with cap	200-250 V	32	4

Article No.	Type	Voltage	Amp	Poles
83TEP8100	Wall mounting socket outlet	380-415 V	32	4
83TEP8101	Panel mounting socket outlet	380-415 V	32	4
83TEP8102	Connector	380-415 V	32	4
83TEP8103	Plug	380-415 V	32	4
83TEP8104	Plug with cap	380-415 V	32	4

Article No.	Type	Voltage	Amp	Poles
83TEP8110	Wall mounting socket outlet	480-500 V	32	4
83TEP8111	Panel mounting socket outlet	480-500 V	32	4
83TEP8112	Connector	480-500 V	32	4
83TEP8113	Plug	480-500 V	32	4
83TEP8114	Plug with cap	480-500 V	32	4

Article No.	Type	Voltage	Amp	Poles
83TEP8120	Wall mounting socket outlet	600-690 V	32	4
83TEP8121	Panel mounting socket outlet	600-690 V	32	4
83TEP8122	Connector	600-690 V	32	4
83TEP8123	Plug	600-690 V	32	4
83TEP8124	Plug with cap	600-690 V	32	4

* = Can be used for different voltages 200-250 V or 380-415 V

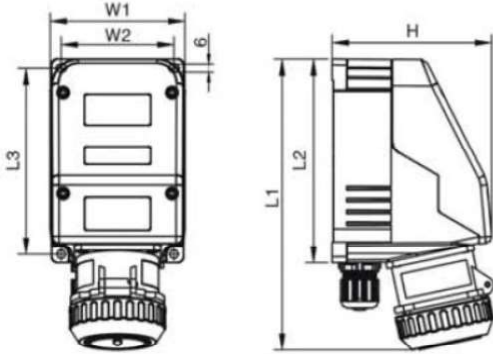
Plugs, Connectors and Receptacles ATEX TEPEX



Article No.	Type	Voltage	Amp	Poles
83TEP8130	Wall mounting socket outlet	200-415 V*	32	5
83TEP8131	Panel mounting socket outlet	200-415 V*	32	5
83TEP8132	Connector	200-415 V*	32	5
83TEP8133	Plug	200-415 V*	32	5
83TEP8134	Plug with cap	200-415 V*	32	5

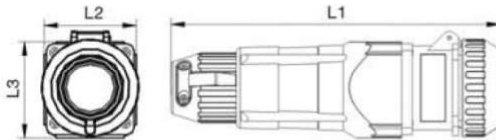
* = Can be used for different voltages 200-250 V or 380-415 V

DIMENSION type T0251 / 16A



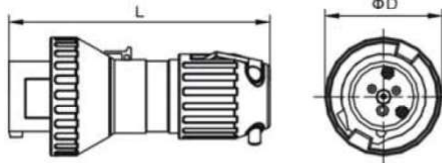
WALL SOCKET (all dimension in mm)

Poles	W1	W1	L1	L2	L3	H
2P/3P	103	86	223	156	142	122
4P/5P	123	106	241	176	163	147



COUPLER SOCKET (all dimension in mm)

Poles	L1	L2	L3
2P/3P	247	69	72
4P/5P	279	90	93



PLUG (all dimension in mm)

Poles	ΦD	L
2P/3P	73	163
4P	77	187
5P	84	187



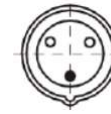
20-25 VAC
16A 2-P



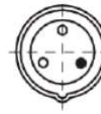
40-50 VAC
16A 2-P



20-50 VDC
16A 2-P



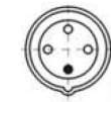
200-250 V
16A 3-P



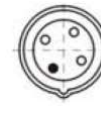
110-130 V
16A 3-P



200-250 V
16A 4-P



380-415 V
16A 4-P



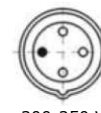
480-500 V
16A 4-P



600-690V
16A 4-P



200-250 V
380-415 V
16A 5-P



200-250 V
32A 4-P



380-415 V
32A 4-P



480-500 V
32A 4-P

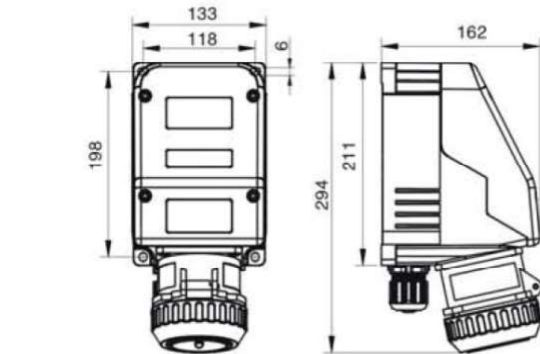


600-690 V
32A 4-P

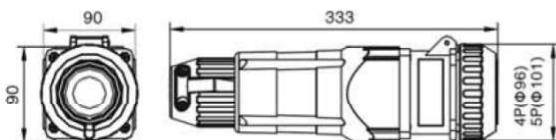


200-250 V
380-415 V
32A 5-P

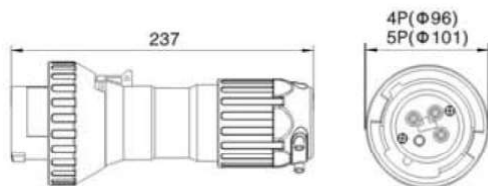
DIMENSION type T0252 / 32A



WALL SOCKET (all dimension in mm)



COUPLER SOCKET (all dimension in mm)



PLUG (all dimension in mm)

