

Radium LED Retrofit Compact Stick Lamps

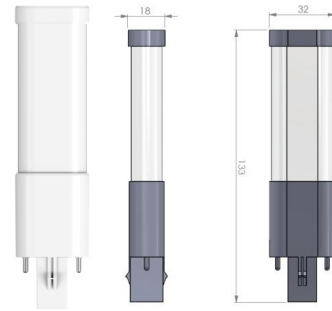
Radium Essence S - Retrofit Compact Stick LED Lamps

LED compact lamp to exchange with Compact fluo lamp, plastic body, non-dim. G23 (2-pin) base. Lamp with stick-shape. Average life 50.000h. Light colour is White. Colour Rendering index ≥ 80 . For 220-240Vac with a protection degree of IP20. For ambient temperatures of -15°C to $+45^{\circ}\text{C}$. Flicker factor 1.0 and stroboscopisch effect of 0.4. Energy label E.

Radium Essence Lamps are packed per 10 pcs



Article No.	Description	BxWxL mm	Colour	Wattage	Lumen	Equivalent
83R43620578	RL-S7 830/G23 EM	33x18x133	3000K	3,5	400	7W-400lm
83R43620579	RL-S7 840/G23 EM	33x18x133	4000K	3,5	400	7W-400lm
83R43619777	RL-S9 830/G23 EM	32x18x163	3000K	5,0	550	9W-600lm
83R43620576	RL-S9 840/G23 EM	32x18x163	4000K	5,0	550	9W-600lm
83R43619778	RL-S11 830/G23 EM	32x18x227	3000K	6,5	720	11W-900lm
83R43620577	RL-S11 840/G23 EM	32x18x227	4000K	6,5	720	11W-900lm



Radium Essence DUO/E - Retrofit Compact Stick LED Lamps

LED compact lamp to exchange with Compact fluo lamp, plastic body, non-dim. G24q-1 (4-pin) base. Lamp with stick-shape. Average life 30.000h. Light colour is White. Colour Rendering index ≥ 80 . For 220-240Vac with a protection degree of IP20. For ambient temperatures of -20°C to $+50^{\circ}\text{C}$. Flicker factor 1.0 and stroboscopisch effect of 0.4. Energy label E.

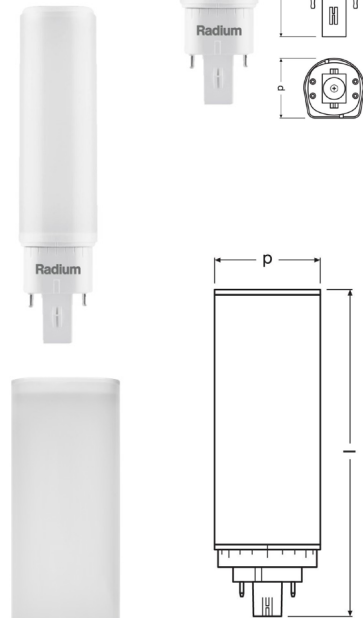
Article No.	Description	DxL mm	Colour	Wattage	Lumen	Equivalent
83R43519769	RL-DUO/E13 840/G24Q-1 UN	33x143	4000K	6,0	660	10W-600lm
83R43519771	RL-DUO/E18 840/G24Q-1 UN	33x143	4000K	7,0	770	13W-900lm
83R43519772	RL-DUO/E26 840/G24Q-1 UN	33x170	4000K	10,0	1.100	18W-1200lm



Radium Essence DUO - Retrofit Compact Stick LED Lamps

LED compact lamp to exchange with Compact fluo lamp, plastic body, non-dim. G24d (2-pin) base. Fits also in G24q base. Lamp with stick-shape. Average life 30.000h. Light colour is White. Colour Rendering index ≥ 80 . For 220-240Vac with a protection degree of IP20. For ambient temperatures of -20°C to $+45^{\circ}\text{C}$. Flicker factor 1.0 and stroboscopisch effect of 0.4. Energy label E.

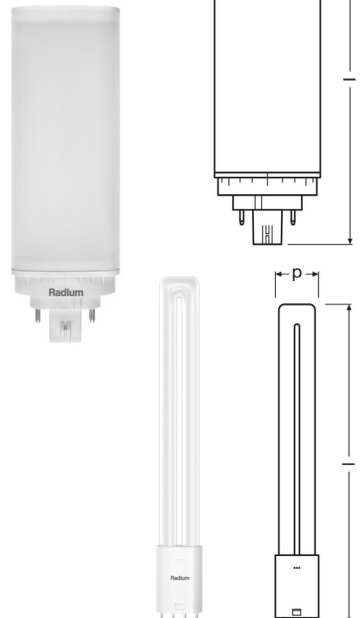
Article No.	Description	DxL mm	Colour	Wattage	Lumen	Equivalent
83R43520621	RL-DUO13 840/G24D/G24Q EM	34x127	4000K	5,0	560	10W-600lm
83R43520622	RL-DUO18 830/G24D/G24Q EM	34x146	3000K	7,0	810	13W-900lm
83R43520623	RL-DUO18 840/G24D/G24Q EM	34x146	4000K	7,0	900	13W-900lm



Radium Essence TRIO/E - Retrofit Compact Stick LED Lamps

LED compact lamp to exchange with Compact fluo lamp, plastic body, non-dim. GX24q (4-pin) base. Lamp with stick-shape. Average life 30.000h. Light colour is White. Colour Rendering index ≥ 80 . For 220-240Vac with a protection degree of IP20. For ambient temperatures of -20°C to $+50^{\circ}\text{C}$. Flicker factor 1.0 and stroboscopisch effect of 0.4. Energy label E.

Article No.	Description	DxL mm	Colour	Wattage	Lumen	Equivalent
83R43519770	RL-TRIO/E18 840/GX24Q-2 UN	45x120	4000K	7,0	800	NA
83R43519773	RL-TRIO/E26 840/GX24Q-3 UN	45x140	4000K	10,0	1.100	18W-1200lm
83R43519774	RL-TRIO/E32 840/GX24Q-3 UN	45x155	4000K	16,0	1.800	26W-1800lm
83R43519775	RL-TRIO/E42 840/GX24Q-4 UN	45x165	4000K	20,0	2.250	32W-2400lm



Radium Essence LONG - Retrofit Compact Stick LED Lamps

LED compact lamp to exchange with Compact fluo lamp, glass bulb, non-dim. 2G11 (4-pin) base. Lamp with stick-shape. Average life 30.000h. Light colour is White. Colour Rendering index ≥ 80 . For 220-240Vac with a protection degree of IP20. For ambient temperatures of -20°C to $+50^{\circ}\text{C}$. Flicker factor 1.0 and stroboscopisch effect of 0.4. Energy label E.

Article No.	Description	BxL mm	Colour	Wattage	Lumen	Equivalent
83R43520573	RL-LONG 18 840/2G11 UN	45x230	4000K	8,0	1.000	18W-1200lm
83R43519776	RL-LONG 24 840/2G11 UN	45x321	4000K	12,0	1.500	18W-1200lm
83R43520574	RL-LONG 36 840/2G11 UN	45x417	4000K	18,0	2.300	24W-1800lm
83R43520575	RL-LONG 55 840/2G11 UN	45x537	4000K	25,0	3.250	36W-2900lm

Radium Essence TWIN - Retrofit Compact Stick LED Lamps

LED compact lamp to exchange with Compact fluo lamp, plastic body, non-dim. 2G10 (4-pin) base. Lamp with stick-shape. Average life 30.000h. Light colour is White. Colour Rendering index ≥ 80 . For 220-240Vac with a protection degree of IP20. For ambient temperatures of -20°C to $+50^{\circ}\text{C}$. Flicker factor 1.0 and stroboscopisch effect of 0.4. Energy label E.

Article No.	Description	BxHxL mm	Colour	Wattage	Lumen	Equivalent
83R43619784	RL-TWIN36 830/2G10 EM	89x17x222	3000K	20,0	2.250	32W-2400lm
83R43619785	RL-TWIN36 840/2G10 EM	89x17x222	4000K	20,0	2.250	32W-2400lm

