

Vyrtych AQUA-70-Ex-LED Linear luminaire Zone 1-21

Vyrtych AQUA-70-Ex-LED Linear luminaire Zone 1-21

For ATEX Zone 1-21

Certification: **AQUA-70-Ex LED-D**: II 2G Ex db mb op is IIC T4 Gb and II 2D Ex tb op is IIIC T62°C Db.

AQUA-70-Ex-LED-WOD: II 2G Ex eb mb op is IIC T4 Gb and II 2D Ex tb op is IIIC T62°C Db.

Application: The dustproof and watertight lighting fixture AQUA-70-Ex-LED is designed for lighting of areas with danger of explosion. The lighting fixture is certified by FTZU Ostrava-Radvanice (certificate type FTZU 17 ATEX 0052X).

Ballast: EP – electronic 110-254V/50-60Hz AC, 220-250V, 0 Hz DC.

Light source: LED, 4000K, CRI +80.

Housing: Tube with outer diameter of 70 mm and wall thickness of 4 mm made from clear **PC-IK10** (polycarbonate). Protection: IP66 / IP68 and IK10.

Fastening: Surface wall or ceiling mounting by means of plastic or stainless steel mounting brackets (not standard equipment) or suspension by means of cable suspenders.

Connection: Screwless three-pole terminal block, maximum diameter of wires 4,0 mm².

Standard equipment: 1 pc M20x1,5 plastic cable gland for diameter of cable 7-13 mm, 1 pc M20 sealing plug.

Calculated lifetime – LED modules: L80B50 ta50°C - 45.000h.

Available with disconnecter plug type D or with cable gland type WOD.

The lighting fixture meets photobiological safety according to the standard CSN EN 62471:2009.

Suitable for persons with high sensitivity to UV radiation and blue spectrum part.

Test by flaming/hot loop 850°C. Used plastic parts are UV-stable.

Mark indicating compliance with the relevant regulations for electromagnetic compability (EMC).

Tolerance of luminous flux and power input of the lighting fixture +/- 10%.

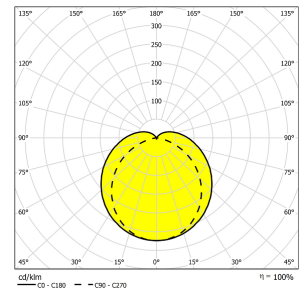
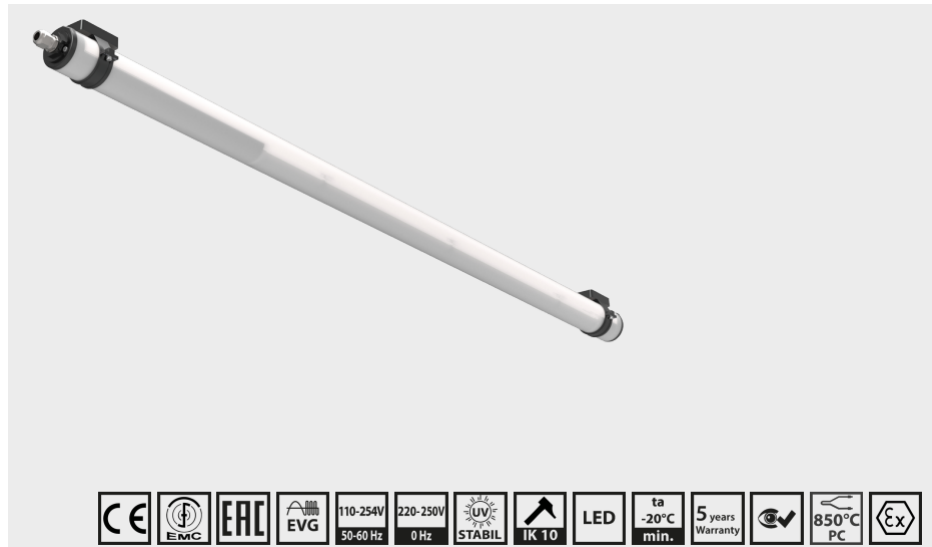
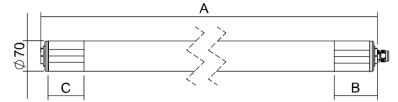
Minimum ambient temperature -20°C and maximum +50°C.

Optional single phase through wiring connection (1F) maximum diameter of wires 4,0 mm², color temperatures standard 4000K, optional 3000 or 6000K. Manufacturers warranty, 5 years.

VYRTYCH



rmm
Repair Management Nederland B.V.
More management less firefighting



Article No.	Description version with disconnecter	Wattage	Lumen output	LxWxH mm	Ta max (°C)	D in mm	Equivalent	Colour
83VT084240	AQUA-70-Ex-LED-D 2750-118-4K	16	2.107	1149x425x65	+50°C	70	-	4000 K
83VT084200	AQUA-70-Ex-LED-D 4000-118-4K	28	3.061	1149x425x65	+50°C	70	1x36W	4000 K
83VT084241	AQUA-70-Ex-LED-D 5500-136-4K	30	4.175	1709x425x65	+50°C	70	1x58W	4000 K
83VT084201	AQUA-70-Ex-LED-D 8000-136-4K	51	5.985	1709x424x65	+50°C	70	-	4000 K

Article No.	Description version without disconnecter	Wattage	Lumen output	LxWxH mm	Ta max (°C)	D in mm	Equivalent	Colour
83VT084242	AQUA-70-Ex-LED-WOD 2750-118-4K	16	2.107	1149x425x65	+50°C	70	-	4000 K
83VT084202	AQUA-70-Ex-LED-WOD 4000-118-4K	28	3.061	1149x425x65	+50°C	70	1x36W	4000 K
83VT084243	AQUA-70-Ex-LED-WOD 5500-136-4K	30	4.175	1709x425x65	+50°C	70	1x58W	4000 K
83VT084203	AQUA-70-Ex-LED-WOD 8000-136-4K	51	5.985	1709x425x65	+50°C	70	-	4000 K

AQUA-70-Ex-LED with through wiring Type 1F

Article No.	Description version with disconnecter	Wattage	Lumen output	LxWxH mm	Ta max (°C)	D in mm	Equivalent	Colour
83VT084200-1F	AQUA-70-Ex-LED-D 4000-118-4K	28	3.061	1149x425x65	+50°C	70	1x36W	4000 K
83VT084201-1F	AQUA-70-Ex-LED-D 8000-136-4K	51	5.985	1709x425x65	+50°C	70	-	4000 K
83VT084202-1F	AQUA-70-Ex-LED-WOD 4000-118-4K	28	3.061	1149x425x65	+50°C	70	1x36W	4000 K
83VT084203-1F	AQUA-70-Ex-LED-WOD 8000-136-4K	51	5.985	1709x424x65	+50°C	70	-	4000 K

Article No.	Description
83VT053629	Mounting bracket PC AQUA-70 Dark Grey (1 pc)
83VT053627	Mounting bracket Stainless Steel AQUA-70 (1 pc)
83VT053628	Mounting bracket Stainless Steel AQUA-70 (1 pc) Direct or suspended mounting
83VT064898	Mounting bracket Stainless Steel AQUA-70 (1 pc)
83VT008096	Plastic cable gland M20x1,5 Ex
83VT008097	Plastic gland nut WISKA EMUG M20x1,5

Article No.	Description
83VT008090	Plastic sealing plug M20x1,5 Ex
83VT007047N	Flat sealing ring EPDM 26x20x1,5

Vyrtych AQUA-70-Ex-LED optional mounting brackets.

