

Remote controlled quick-closing valves

Compact angle type, spring loaded.

Din flanged

Body nodular iron, inner parts stainless steel

Dimensions DN 15 - DN 80

Length according to DIN3202/EN 558 F32 and DIN PN 10/16

Body nodular cast iron EN-GJS-400-18U-LT EN-JS1049

Bonnet nodular cast iron EN-GJS-400-18U-LT EN-JS1049

Seat X20Cr13+QT 1.4021+QT

Disc X20Cr13+QT 1.4021+QT

Stem X20Cr13+QT 1.4021+QT

Maximum operating temperature +80°C

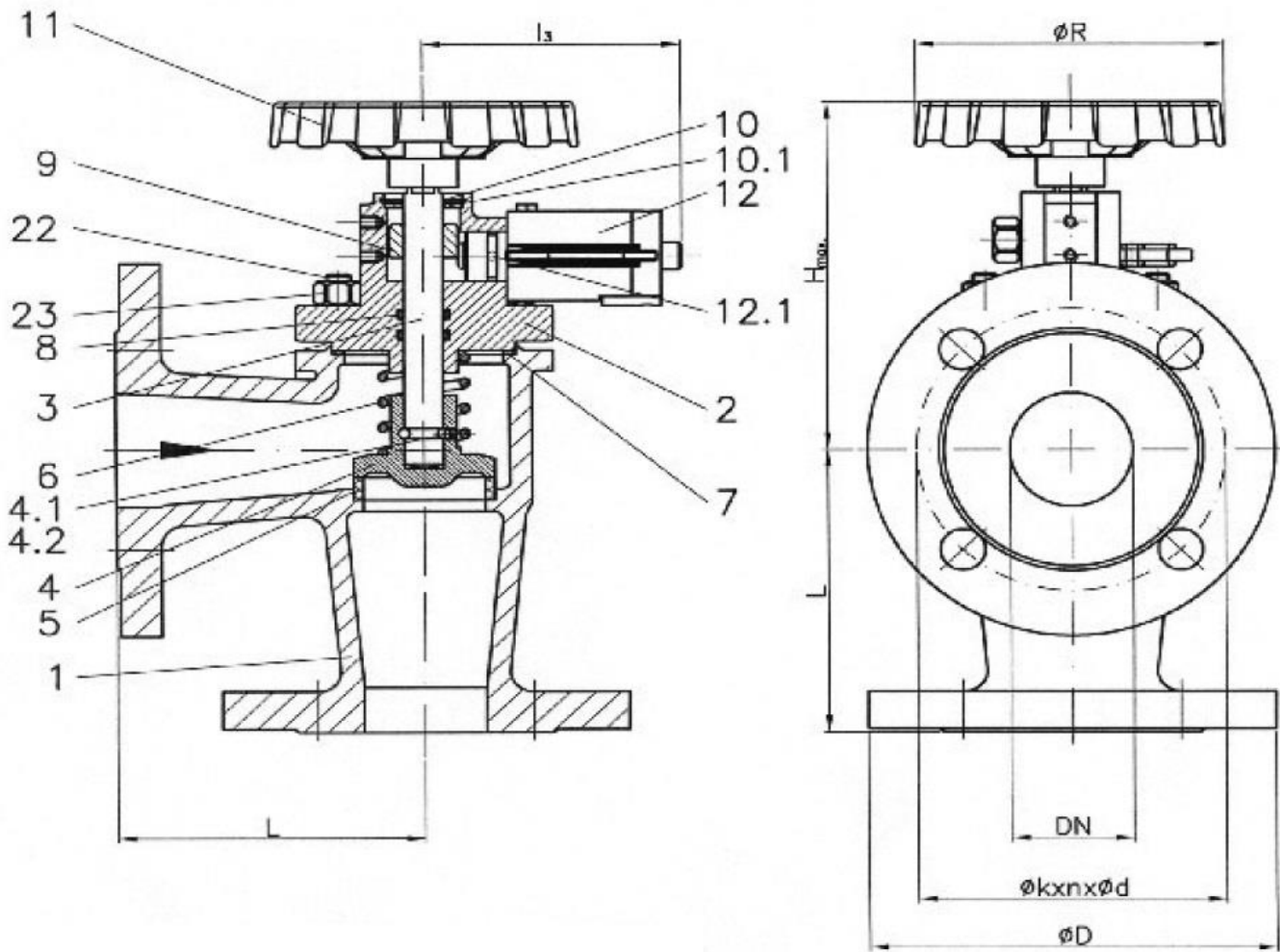
Actuation by mounted cylinder for hydraulic or pneumatic actuation.



rman

Repair Management Nederland B.V.
More management less firefighting

Number	IMPA	DN	D mm Ø	L mm	PCD mm	Hmax mm	Bolthole mm	I3 mm	Weight kg
43PE010620015	NA	15	95	90	65	250	4x14	104	3,5
43PE010620020	NA	20	105	95	75	250	4x14	104	4
43PE010620025	NA	25	115	100	85	250	4x14	104	5
43PE010620032	NA	32	140	105	100	260	4x18	104	6
43PE010620040	NA	40	150	115	110	270	4x18	104	8
43PE010620050	NA	50	165	125	125	275	4x18	104	10
43PE010620065	NA	65	185	145	145	265	4x18	100	18
43PE010620080	NA	80	200	155	160	270	8x18	100	22



Also available in cast steel GP240GH+N, pressure rating PN40