

Scame Ex products

- Scame Ex plugs**
- Scame Ex Interlocked switch sockets outlets**
- Scame Ex Switchgear**
- Scame Ex Emergency switchgear**
- Scame Ex Enclosures**
- Scame Installation accessoires**



Repair Management Nederland B.V.
More management less firefighting

Scame Ex plugs for gas and dust

Series OPTIMA EX(GD)

Voltage 220-250V en 346-415V en 380-415V

Frequency 50/60Hz

Protection **IP66**



Ex category II 2GD

Ex e IIC T6 Gb, Ex tb IIIC T80°C Db IP66, Tamb. -35/+60°C

Ex approvals:

ATEX e IECEx, INERIS ATEX, INERIS IECEx

Number	Description	Color
02TE2191633	200-250V 50/60Hz 2P+E 16A 6h	Black/blue
02TE2193233	200-250V 50/60Hz 2P+E 32A 6h	Black/blue

Number	Description	Color
02TE2191636	380-415V 50/60Hz 3P+E 16A 6h	Black/red
02TE2193236	380-415V 50/60Hz 3P+E 32A 6h	Black/red
02TE2196336	380-415V 50/60Hz 3P+E 63A 6h	Black/red
02TE21912536	380-415V 50/60Hz 3P+E 125A 6h	Black/red

Number	Description	Color
02TE2191637	346-415V 50/60Hz 3P+N+E 16A 6h	Black/red
02TE2193237	346-415V 50/60Hz 3P+N+E 32A 6h	Black/red
02TE2196337	346-415V 50/60Hz 3P+N+E 63A 6h	Black/red
02TE21912537	346-415V 50/60Hz 3P+N+E 125A 6h	Black/red



Scame interlocked switch socket without fuse carrier for gas and dust

Series ADVANCE-GRP(GD)

Voltage 220-250V en 346-415V en 380-415V

Frequency 50/60Hz

Protection **IP66**



Material **GRP**

Ex category II 2GD

Ex e IIC T6 Gb, Ex tb IIIC T80°C Db IP66, Tamb. -35/+60°C

Ex approvals:

ATEX e IECEx, INERIS ATEX, INERIS IECEx

Number	Description	Color
02TE5041683	200-250V 50/60Hz 2P+E 16A 6h	Black/blue
02TE5043283	200-250V 50/60Hz 2P+E 32A 6h	Black/blue

Number	Description	Color
02TE5041686	380-415V 50/60Hz 3P+E 16A 6h	Black/red
02TE5043286	380-415V 50/60Hz 3P+E 32A 6h	Black/red
02TE5046386	380-415V 50/60Hz 3P+E 63A 6h	Black/red
02TE50412586	380-415V 50/60Hz 3P+E 125A 6h	Black/red

Number	Description	Color
02TE5041687	346-415V 50/60Hz 3P+N+E 16A 6h	Black/red
02TE5043287	346-415V 50/60Hz 3P+N+E 32A 6h	Black/red
02TE5046387	346-415V 50/60Hz 3P+N+E 63A 6h	Black/red
02TE50412587	346-415V 50/60Hz 3P+N+E 125A 6h	Black/red



Scame switch disconnectors for gas and dust
Series ISOLATORS-EX(GD)

Voltage Max. 690V 50/60Hz

Protection **IP66**

Material **GRP**

Ex category II 2GD

Ex d e IIC T5 Gb -50° <Ta<+55°, Ex d e IIC T4 Gb -50° <Ta<+60°, Ex tb IIIC T80°C Db IP66, Tcable. 60°C



Ex approvals:

ATEX e IECEx, INERIS ATEX, INERIS IECEx



Number	Description
02TE591PGE2002	690V 50/60Hz 20A 2P 160x160x90mm
02TE591PGE2004	690V 50/60Hz 20A 3/4P 160x160x90mm
02TE591PGE2502	690V 50/60Hz 25A 2P 160x160x90mm
02TE591PGE2504	690V 50/60Hz 25A 3/4P 160x160x90mm
02TE591PGE3202	690V 50/60Hz 32A 2P 160x160x90mm
02TE591PGE3204	690V 50/60Hz 32A 3/4P 160x160x90mm
02TE591PGE4002	690V 50/60Hz 40A 2P 160x160x90mm
02TE591PGE4004	690V 50/60Hz 40A 3/4P 160x160x90mm
02TE591PGE6302	690V 50/60Hz 63A 2P 160x160x90mm
02TE591PGE6304	690V 50/60Hz 63A 3/4P 160x160x90mm



Scame switch disconnectors for gas and dust
Series ISOLATORS-EX(GD)

Voltage Max. 690V 50/60Hz

Protection **IP66**

Material **Aluminium**

Ex category II 2GD

Ex d e IIC T5 Gb -50° <Ta<+55°, Ex d e IIC T4 Gb -50° <Ta<+60°, Ex tb IIIC T80°C Db IP66, Tcable. 60°C



Number	Description
02TE591AGE2002	690V 50/60Hz 20A 2P 200x232x142mm
02TE591AGE2004	690V 50/60Hz 20A 3/4P 200x232x142mm
02TE591AGE2502	690V 50/60Hz 25A 2P 200x232x142mm
02TE591AGE2504	690V 50/60Hz 25A 3/4P 200x232x142mm
02TE591AGE3202	690V 50/60Hz 32A 2P 200x232x142mm
02TE591AGE3204	690V 50/60Hz 32A 3/4P 200x232x142mm
02TE591AGE4002	690V 50/60Hz 40A 2P 200x232x142mm
02TE591AGE4004	690V 50/60Hz 40A 3/4P 200x232x142mm
02TE591AGE6302	690V 50/60Hz 63A 2P 200x232x142mm
02TE591AGE6304	690V 50/60Hz 63A 3/4P 200x232x142mm



Scame switch disconnectors for gas and dust
Series ISOLATORS-EX(GD)

Voltage Max. 690V 50/60Hz

Protection **IP66**

Material **Stainless Steel AISI 316L**

Ex category II 2GD

Ex d e IIC T5 Gb -50° <Ta<+55°, Ex d e IIC T4 Gb -50° <Ta<+60°, Ex tb IIIC T80°C Db IP66, Tcable. 60°C



Number	Description
02TE591SGE2002	690V 50/60Hz 20A 2P 270x201x160mm
02TE591SGE2004	690V 50/60Hz 20A 3/4P 270x201x160mm
02TE591SGE2502	690V 50/60Hz 25A 2P 270x201x160mm
02TE591SGE2504	690V 50/60Hz 25A 3/4P 270x201x160mm
02TE591SGE3202	690V 50/60Hz 32A 2P 270x201x160mm
02TE591SGE3204	690V 50/60Hz 32A 3/4P 270x201x160mm
02TE591SGE4002	690V 50/60Hz 40A 2P 270x201x160mm
02TE591SGE4004	690V 50/60Hz 40A 3/4P 270x201x160mm
02TE591SGE6302	690V 50/60Hz 63A 2P 270x201x160mm
02TE591SGE6304	690V 50/60Hz 63A 3/4P 270x201x160mm



**Scame Emergency switch disconnectors for gas and dust
Series ISOLATORS-EX(GD)**

Voltage Max. 690V 50/60Hz

Protection **IP66**

Material **GRP**

Ex category II 2GD

Ex d e IIC T5 Gb -50° <Ta<+55°, Ex d e IIC T4 Gb -50° <Ta<+60°, Ex tb IIIC T80°C Db IP66, Tcable. 60°C



Ex approvals:

ATEX e IECEx, INERIS Atex, INERIS IECEx



Number	Description
02TE591PEM2002	690V 50/60Hz 20A 2P 160x160x90mm
02TE591PEM2004	690V 50/60Hz 20A 3/4P 160x160x90mm
02TE591PEM2502	690V 50/60Hz 25A 2P 160x160x90mm
02TE591PEM2504	690V 50/60Hz 25A 3/4P 160x160x90mm
02TE591PEM3202	690V 50/60Hz 32A 2P 160x160x90mm
02TE591PEM3204	690V 50/60Hz 32A 3/4P 160x160x90mm
02TE591PEM4002	690V 50/60Hz 40A 2P 160x160x90mm
02TE591PEM4004	690V 50/60Hz 40A 3/4P 160x160x90mm
02TE591PEM6302	690V 50/60Hz 63A 2P 160x160x90mm
02TE591PEM6304	690V 50/60Hz 63A 3/4P 160x160x90mm



**Scame Emergency switch disconnectors for gas and dust
Series ISOLATORS-EX(GD)**

Voltage Max. 690V 50/60Hz

Protection **IP66**

Material **Aluminium**

Ex category II 2GD

Ex d e IIC T5 Gb -50° <Ta<+55°, Ex d e IIC T4 Gb -50° <Ta<+60°, Ex tb IIIC T80°C Db IP66, Tcable. 60°C



Number	Description
02TE591AEM2002	690V 50/60Hz 20A 2P 200x232x142mm
02TE591AEM2004	690V 50/60Hz 20A 3/4P 200x232x142mm
02TE591AEM2502	690V 50/60Hz 25A 2P 200x232x142mm
02TE591AEM2504	690V 50/60Hz 25A 3/4P 200x232x142mm
02TE591AEM3202	690V 50/60Hz 32A 2P 200x232x142mm
02TE591AEM3204	690V 50/60Hz 32A 3/4P 200x232x142mm
02TE591AEM4002	690V 50/60Hz 40A 2P 200x232x142mm
02TE591AEM4004	690V 50/60Hz 40A 3/4P 200x232x142mm
02TE591AEM6302	690V 50/60Hz 63A 2P 200x232x142mm
02TE591AEM6304	690V 50/60Hz 63A 3/4P 200x232x142mm



**Scame Emergency switch disconnectors for gas and dust
Series ISOLATORS-EX(GD)**

Voltage Max. 690V 50/60Hz

Protection **IP66**

Material **Stainless Steel AISI 316L**

Ex category II 2GD

Ex d e IIC T5 Gb -50° <Ta<+55°, Ex d e IIC T4 Gb -50° <Ta<+60°, Ex tb IIIC T80°C Db IP66, Tcable. 60°C



Number	Description
02TE591SEM2002	690V 50/60Hz 20A 2P 270x201x160mm
02TE591SEM2004	690V 50/60Hz 20A 3/4P 270x201x160mm
02TE591SEM2502	690V 50/60Hz 25A 2P 270x201x160mm
02TE591SEM2504	690V 50/60Hz 25A 3/4P 270x201x160mm
02TE591SEM3202	690V 50/60Hz 32A 2P 270x201x160mm
02TE591SEM3204	690V 50/60Hz 32A 3/4P 270x201x160mm
02TE591SEM4002	690V 50/60Hz 40A 2P 270x201x160mm
02TE591SEM4004	690V 50/60Hz 40A 3/4P 270x201x160mm
02TE591SEM6302	690V 50/60Hz 63A 2P 270x201x160mm
02TE591SEM6304	690V 50/60Hz 63A 3/4P 270x201x160mm



**Scame junction boxes for lighting for gas and dust
Series ZENITH-P**

For Zone 1 & 2 and Zone 21 & 22

Protection **IP66**

Material **GRP**

Ex category II 2GD

Gas protection Ex e IIC T6 Gb

Dust protection Ex t IIIC IP66 T80°C Db

Ambient temperature Ta Min 30, Ta Max 40



Ex approvals:

ATEX e IECEx, SIRA (Atex), SIRA (IECEx)



Number	Description
02TE6440345J01	Terminal block 4xWDU 4,0mm ² 4x M20 cable gland, max. power dissipation 3 Dimension 122x120x90mm
02TE6440345J02	Terminal block 8xWDU 4,0mm ² bridged 2/2 4x M20 cable gland, max. power dissipation 6 Dimension 122x120x90mm
02TE6440345J03	Terminal block 4xWDU 6,0mm ² 3x M20 cable gland, max. power dissipation 3 Dimension 122x120x90mm
02TE6440345J04	Terminal block 8xWDU 6,0mm ² bridged 2/2 3x M20 cable gland, max. power dissipation 6 Dimension 122x120x90mm



**Scame junction boxes for other uses for gas and dust
Series ZENITH-P**

For Zone 1 & 2 and Zone 21 & 22

Protection **IP66**

Material **GRP**

Ex category II 2GD

Gas protection Ex e IIC T6 Gb

Dust protection Ex t IIIC IP66 T80°C Db

Ambient temperature Ta Min 30, Ta Max 40

Number	Description
02TE6440210J10	Terminal block 10x2,5mm ² CAGE TERMINAL 4x M20 cable gland, max. power dissipation 3 Dimension 75x110x75mm
02TE6440210J14	Terminal block 14x2,5mm ² CAGE TERMINAL 6x M20 cable gland, max. power dissipation 4 Dimension 75x160x75mm
02TE6440210J20	Terminal block 20x2,5mm ² CAGE TERMINAL 8x M20 cable gland, max. power dissipation 4 Dimension 75x230x75mm



Scame control stations for gas and dust (without internal wiring)

Series ZENITH-P

For Zone 1 & 2 and Zone 21 & 22

Protection **IP66**

Material **GRP**

Ex category II 2GD

Gas protection Ex e IIC T6 Gb

Dust protection Ex t IIIC IP66 T80°C Db

Ambient temperature Ta Min 30, Ta Max 40

Ex approvals:

ATEX e IECEx, SIRA (Atex), SIRA (IECEx)



Number	Description
--------	-------------

02TE6440345ES	Emergency Pull to release - 2NC 1x M20 cable gland, max. power dissipation 6 Dimension 122x120x90mm. Cat. of use AC12
02TE6440345ESL	Emergency Pull to release - 2NC LOCK 1x M20 cable gland, max. power dissipation 6 Dimension 122x120x90mm. Cat. of use AC12



Number	Description
--------	-------------

02TE6440345LDB	LED LIGHT 12-250Vac/Vdc Blue 1x M20 cable gland, max. power dissipation 1 Dimension 122x120x90mm. Cat. of use AC12
02TE6440345LDG	LED LIGHT 12-250Vac/Vdc Green 1x M20 cable gland, max. power dissipation 1 Dimension 122x120x90mm. Cat. of use AC12
02TE6440345LDR	LED LIGHT 12-250Vac/Vdc Red 1x M20 cable gland, max. power dissipation 1 Dimension 122x120x90mm. Cat. of use AC12
02TE6440345LDW	LED LIGHT 12-250Vac/Vdc White 1x M20 cable gland, max. power dissipation 1 Dimension 122x120x90mm. Cat. of use AC12
02TE6440345LDY	LED LIGHT 12-250Vac/Vdc Yellow 1x M20 cable gland, max. power dissipation 1 Dimension 122x120x90mm. Cat. of use AC12



Number	Description
--------	-------------

02TE6440345OF	ON/OFF 1NO+1NC Push Button 1x M20 cable gland, max. power dissipation 6 Dimension 122x120x90mm. Cat. of use AC12
---------------	------------------------------------------------------------------------------------------------------------------------



Number	Description
--------	-------------

02TE6440345PBG	PUSH BUTTON 1NO+1NC Green 1x M20 cable gland, max. power dissipation 6 Dimension 122x120x90mm. Cat. of use AC12
02TE6440345PBK	PUSH BUTTON 1NO+1NC Black 1x M20 cable gland, max. power dissipation 6 Dimension 122x120x90mm. Cat. of use AC12
02TE6440345PBR	PUSH BUTTON 1NO+1NC Red 1x M20 cable gland, max. power dissipation 6 Dimension 122x120x90mm. Cat. of use AC12
02TE6440345PBW	PUSH BUTTON 1NO+1NC White 1x M20 cable gland, max. power dissipation 6 Dimension 122x120x90mm. Cat. of use AC12
02TE6440345PBY	PUSH BUTTON 1NO+1NC Yellow 1x M20 cable gland, max. power dissipation 6 Dimension 122x120x90mm. Cat. of use AC12



Number	Description
--------	-------------

02TE6440345SE1	SELECTOR SWITCH 0/1 + 2NO 1x M20 cable gland, max. power dissipation 6 Dimension 122x120x90mm. Cat. of use AC12
02TE6440345SE1L	SELECTOR SWITCH 0/1 + 2NO LOCK 1x M20 cable gland, max. power dissipation 6 Dimension 122x120x90mm. Cat. of use AC12



Number	Description
02TE6440345SE2	SELECTOR SWITCH 0/1 + 1NO+1NC 1x M20 cable gland, max. power dissipation 6 Dimension 122x120x90mm. Cat. of use AC12
02TE6440345SE3	SELECTOR SWITCH 1-0-2 +1NO+1NC 1x M20 cable gland, max. power dissipation 6 Dimension 122x120x90mm. Cat. of use AC12



Number	Description
02TE6440345OFE	ON/OFF 1NO+1NC EM. 2NC PUSH BUTTON 1x M25 cable gland, max. power dissipation 6 Dimension 220x120x90mm. Cat. of use AC12
02TE6440345SE	1x START 2NO+ 1x EMERGENCY 2NC 1x M25 cable gland, max. power dissipation 6 Dimension 220x120x90mm. Cat. of use AC12
02TE6440345SGS	1x START 2NO LUM. + 1x STOP 2NC 1x M25 cable gland, max. power dissipation 6 Dimension 220x120x90mm. Cat. of use AC12
02TE6440345SS	1x START 2NO + 1xSTOP 2NC 1x M25 cable gland, max. power dissipation 6 Dimension 220x120x90mm. Cat. of use AC12



Scame enclosures for gas and dust

Series ZENITH-P

For Zone 1 & 2 and Zone 21 & 22

Protection **IP66**

Material **GRP**

Ex category II 2GD

Gas protection Ex e IIC Gb

Gas protection Ex ia IIC Ga

Dust protection Ex t IIIC IP66 Db

Ambient temperature Ta Min 60, Ta Max 75



Ex approvals:

ATEX e IECEx, SIRA (Atex), SIRA (IECEx)

Number	Description
02TE6440100	50x75x55mm
02TE6440110	110x75x55mm
02TE6440120	160x75x55mm
02TE6440130	190x75x55mm
02TE6440140	230x75x55mm
02TE6440200	80x75x75mm
02TE6440210	110x75x75mm
02TE6440220	160x75x75mm
02TE6440230	190x75x75mm
02TE6440240	230x75x75mm
02TE6440345	122x120x90mm
02TE6440350	220x120x90mm
02TE6440360	160x160x90mm
02TE6440370	260x160x90mm
02TE6440380	360x160x90mm
02TE6440390	560x160x90mm
02TE6440465	255x250x120mm
02TE6440485	400x250x120mm
02TE6440595	400x405x165mm

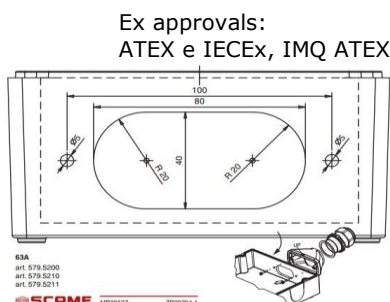


Scame junction box kit

Series Advance-GRP

Cable gland M50x1,5

Number	Description
02TE579EX0201	Junction box kit



Ex approvals:

ATEX e IECEx, IMQ ATEX



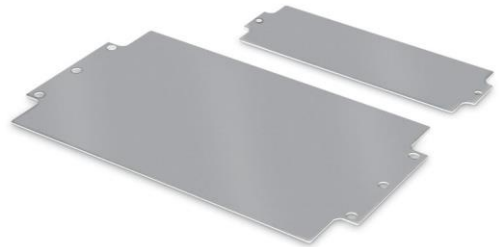
**Scame earth continuity plate for enclosures
Series ZENITH-P**

Number	Description
02TE644A0100	80x75x55mm
02TE644A0110	110x75x55mm
02TE644A0120	160x75x55mm
02TE644A0130	190x75x55mm
02TE644A0140	230x75x55mm
02TE644A0200	80x75x75mm
02TE644A0210	110x75x75mm
02TE644A0220	160x75x75mm
02TE644A0230	190x75x75mm
02TE644A0240	230x75x75mm
02TE644A0345	122x120mm
02TE644A0350	220x120mm
02TE644A0360	160x160mm
02TE644A0370	260x160mm
02TE644A0380	360x160mm
02TE644A0390	560x160mm
02TE644A0465	255x250mm
02TE644A0485	400x250mm
02TE644A0595	400x405mm



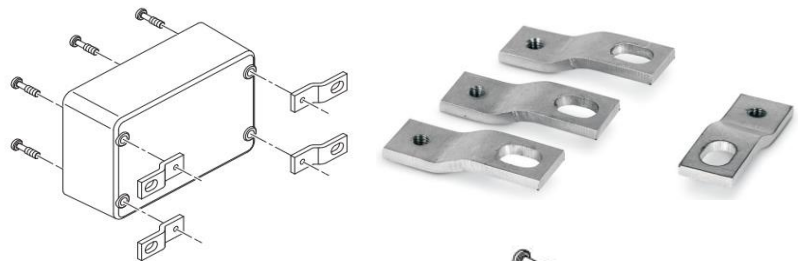
**Scame internal mounting plate for enclosures
Serie ZENITH-P**

Number	Description
02TE644B00	80x75mm
02TE644B10	110x75mm
02TE644B20	160x75mm
02TE644B30	190x75mm
02TE644B40	230x75mm
02TE644B45	122x120mm
02TE644B50	220x120mm
02TE644B60	160x160mm
02TE644B65	255x250mm
02TE644B70	260x160mm
02TE644B80	360x160mm
02TE644B85	400x250mm
02TE644B90	560x160mm
02TE644B95	400x405mm



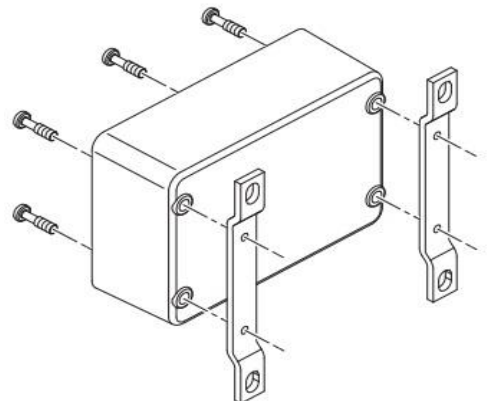
**Scame external mounting brackets
Series ZENITH-P**

Number	Description
02TE644C075	Dimension 75mm
02TE644C120	Dimension 120mm
02TE644C160	Dimension 160mm



**Scame external vertical mounting feet
Series ZENITH-P**

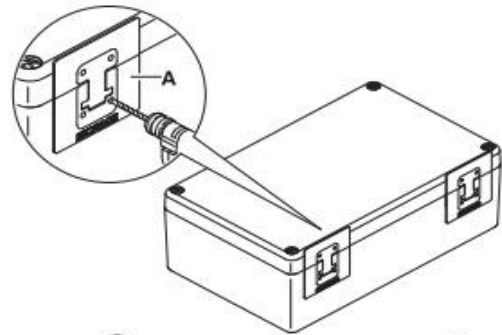
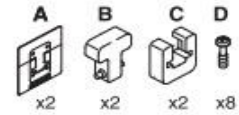
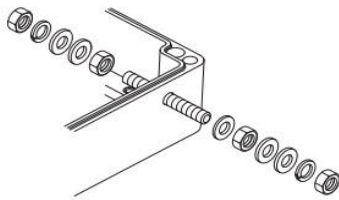
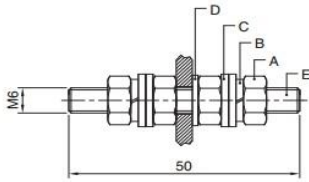
Number	Description
02TE644D075	Dimension 75mm
02TE644D120	Dimension 120mm
02TE644D160	Dimension 160mm
02TE644D250	Dimension 250mm
02TE644D405	Dimension 405mm



**Scame Earth Stud
Series ZENITH-P**



Number	Description
02TE644E650	Earth stud



**Scame external hinges
Series ZENITH-P**

Number	Description
02TE644F001	Hinges kit 160mm

