

## Sealite Barge Lights

### BargeSafe™ Solar 2NM

The BargeSafe Solar 2NM is a solar powered barge light designed to meet applicable sections UL1104 and COLREG-72 standards. The lights are suitable on vessels of 12 metres or more in length, but less than 50 metres in length. ON/OFF Storage switch. Ultra low power consumption. NiMH battery for long service life & wide temperature range. Installs in seconds - completely self-contained.

#### Light Characteristics

Light Source: 1 ultra-high density LED  
 Light Colours: Red, Green, White  
 Visible range @ 0.74: 2+ nm  
 Visible range @ 0.85: 2.3+ nm  
 LED Life Expectancy >100,000 hours

#### Electrical Characteristics

Circuit Protection Integrated.  
 Nominal voltage (V) 3.6  
 Autonomy (days) >20  
 Temperature range: -40 to +80°C

#### Solar Characteristics

Solar module type: Multicrystalline  
 Output (watt) 1.4

#### Power Supply

Battery type: High Grade NiMH 8Ah  
 Battery capacity (Ah): 8  
 Nominal voltage (V) 3.6

#### Physical Characteristics

Body Material: LEXAN® Polycarbonate - UV-stabilised.  
 Lens Material: LEXAN® Polycarbonate - UV-stabilised.  
 Lens diameter (mm/inch): 150 / 5.7/8  
 Lens design: Internal Optics.  
 Mounting: 3 & 4 holes 200mm bolt pattern.  
 Height (mm/inch): 122 / 4.7/8  
 Width (mm/inch): 231 / 9.1/8  
 Weight: 1 kilo  
 Product Life Expectancy: Up to 12 years.

#### Certificates

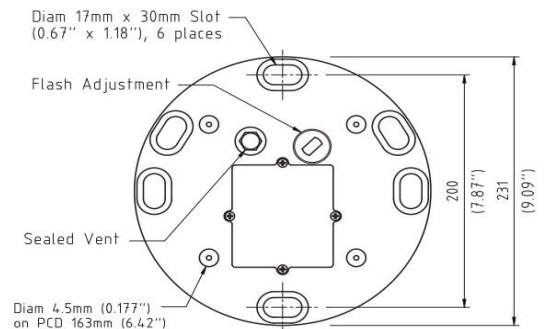
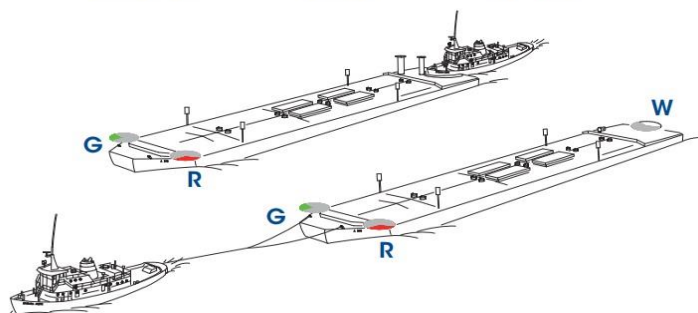
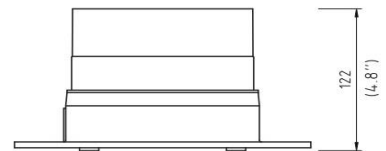
Approvals: UL 1104 COLREG-72  
 IALA signal Colours Compliant to IALA E-200-1  
 Quality Assurance: ISO9001:2008  
 Waterproof: IP68  
 Warranty 3 years conditions apply.

#### Options Available

16Ah battery  
 50mm pole mount adapter plate.  
 Peep-Light blue



Number	Description	Degrees sector
904250	BargeSafe Green	112.5°
904251	BargeSafe Red	112.5°
904252	BargeSafe White	135°



**Sealite Barge Lights**

**BargeSafe™ Solar 3NM**

The BargeSafe Solar 3NM is a solar powered barge light designed to meet applicable sections UL1104 and COLREG-72 standards. The lamps are suitable for vessels of 50 metres or more in length. Completely self-contained with solar modules and battery. ON/OFF storage switch. Precise light sectoring achieved via Sealite's world-class lens. Ultra low power consumption. Robust design.

**Light Characteristics**

Light Source: 1x 1watt ultra-high density LED (sectored configuration)  
 Light Colours: Red, Green, White, Yellow as per UL1104 & COLREG-72  
 Visible Range @ 0.74: >3 nm as per UL1104 & COLREG-72  
 Visible Range @ 0.85: >3.5nm as per UL1104 & COLREG-72  
 Flash Characteristics as per UL1104 & COLREG-72 (steady-on & flashing)  
 LED Life Expectancy >100.000 hours

**Electrical Characteristics**

Circuit Protection Integrated.  
 Nominal voltage (V) 12  
 Current Draw (mA) Minimal  
 Temperature range: -40 to +80°C

**Solar Characteristics**

Solar module type: Multicrystalline  
 Output (watt) 12 (4x3watt)

**Power Supply**

Battery type: SLA (Sealed Lead Acid)  
 Battery capacity (Ah):12  
 Nominal voltage (V) 12  
 Autonomy (days) >24

**Physical Characteristics**

Battery Housing: 7-stage powder-coated aluminium chassis with UV-stabilised rubber corners and gaskets.  
 Material lens: Acrylic.  
 Material lens mount & top: Anodised aluminium.  
 Lens design: Internal single LED cavity with individual sectoring compartments to meet all UL1104 & COLREG-72 angles for light output. Internal 3x LED cavities to suit 360° all round light configuration.  
 Mounting: 3 & 4 holes 200mm bolt pattern.  
 Height (mm/inch): 390 / 15.2/5  
 Width (mm/inch): 233 / 9.1/5  
 Weight: 9.2 kilo  
 Product Life Expectancy: Up to 12 years.

**Certificates**

Approvals: UL 1104 COLREG-72  
 IALA signal Colours Compliant to IALA E-200-1  
 Quality Assurance: ISO9001:2008  
 Waterproof: IP68  
 Warranty 3 years conditions apply.



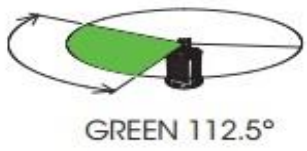
Available with optional Peep-Light

Number	Description	Degrees sector
904260	BargeSafe Green	112.5°
904261	BargeSafe Red	112.5°
904262	BargeSafe White	135°
904263	BargeSafe Yellow	225°
904264	BargeSafe Yellow PL	225°
904265	BargeSafe All Round	360°

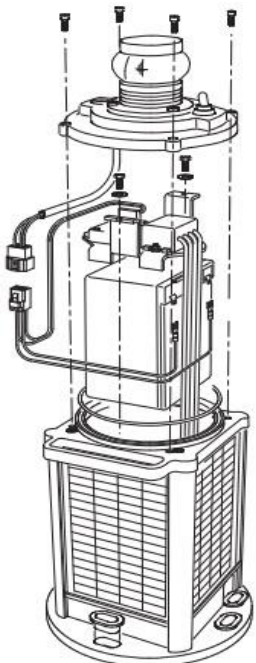
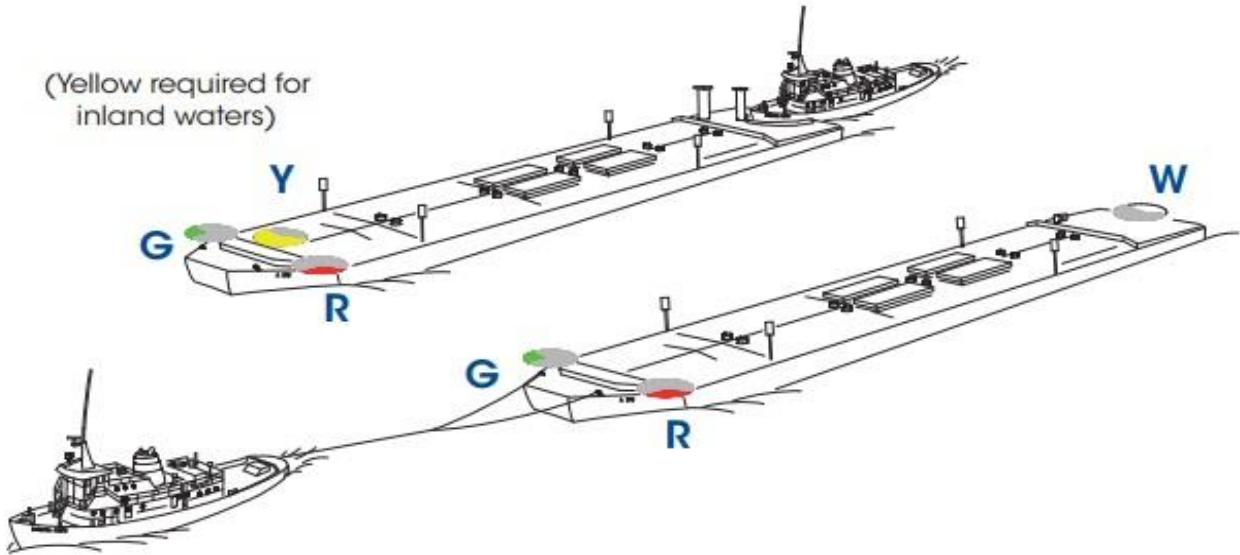
PL= with Bulgin connector for Peep-Light attachment.  
 Peep-Light NOT included (order separate)

Number	Description
904258	Peep-Light for Masthead light 904264 This Blue steady-on light is used to guide mariners when manoeuvring the barge into dock and to help determine the swing of the bow when viewed from the stern. With cable for Bulgin connector PL.

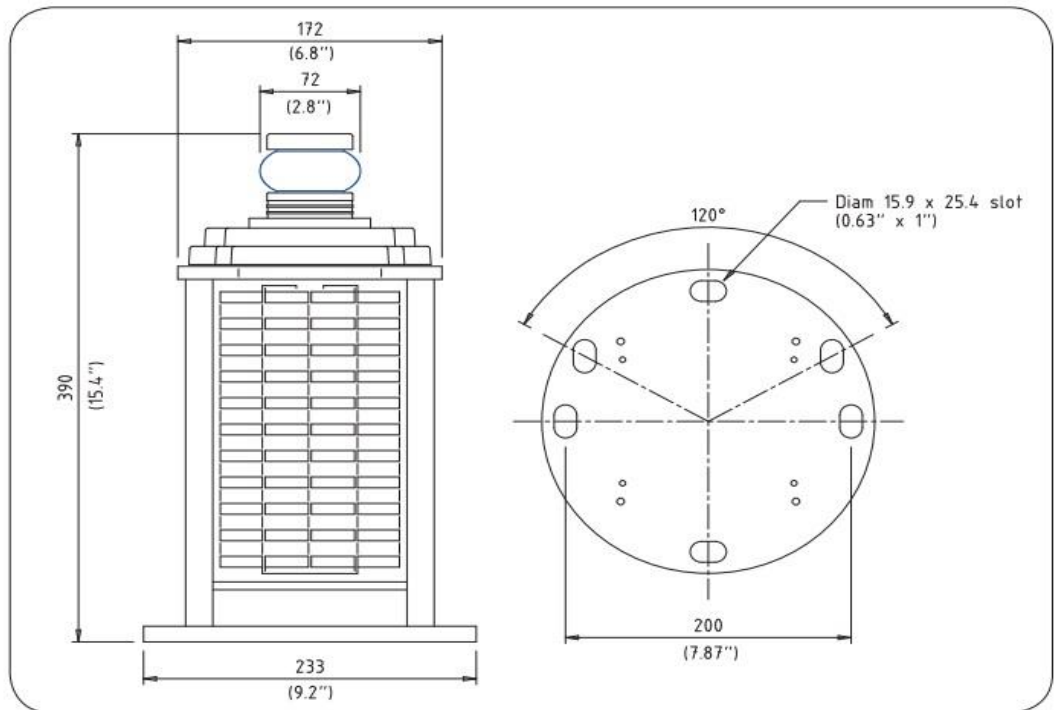
Numer	Omschrijving
904259	Peep-Light for Masthead light 904264 Type High Intensity With cable for Bulgin connector PL



(Yellow required for inland waters)



Convenient user-replaceable battery



Sealite BargeSafe 3NM dimensions





**Sealite Barge Lights**

**BargeSafe™ 3NM**

Battery powered LED barge light is designed to meet applicable sections of UL1104 & COLREG-72 standards with >3NM visible range. Extreme user friendly due to innovative design. Single high powered LED for superior light output. The world-class LED lens is designed and manufactured by Sealite and achieves precise intensity and sectoring requirements from a single LED light source. This design helps achieve a lower operational current compare with alternative LED barge lights - making the unit ultra efficient and offering a battery runtime of up to 45 nights.

**Light Characteristics**

Light Source: 1x 1watt ultra-high density LED (sectored configuration)  
 Light Colours: Red, Green, White, Yellow as per UL1104 & COLREG-72  
 Maximum intensity (cd): as per UL1104 & COLREG-72  
 Visible Range @ 0.74: >3 nm as per UL1104 & COLREG-72  
 Visible Range @ 0.85: >3.5nm as per UL1104 & COLREG-72  
 Flash Characteristics as per UL1104 & COLREG-72 (steady-on & flashing)  
 All-round flashing Red.  
 LED Life Expectancy >100.000 hours

**Electrical Characteristics**

Circuit Protection Integrated.  
 Nominal voltage (V) 4-9  
 Temperature range: -40 to +80°C

**Power Supply**

Battery type: Air Alkaline (recommended)  
 Battery capacity (Ah): 45Ah (Air Alkaline)  
 Nominal voltage (V) 6 (Air Alkaline)  
 Autonomie (dagen) >45

**Physical Characteristics**

Battery Housing: LEXAN® Polycarbonate - UV-stabilised.  
 Material lens: Acrylic.  
 Material lens mount and top: Anodised aluminium.  
 Lens design: Internal single LED cavity with individual sectoring compartments to meet all UL1104 & COLREG-72 angles for light output. Internal 3 x LED cavities to suit 360° all round light configuration.  
 Mounting: 4 magnets.  
 Height (mm/inch): 195 / 7.2/3  
 Width (mm/inch): 172 / 6.7/8  
 Depth 9mm/inch): 108 / 4.1/4  
 Weight: 1.5 kilo  
 Product Life Expectancy: Up to 12 years.

**Certifications**

Approvals: UL 1104 COLREG-72  
 IALA signal Colours compliant to IALA E-200-1  
 Quality Assurance: ISO9001:2008  
 Waterproof: IP67  
 Warranty 3 years conditions apply.

Lantarns are supplied WITHOUT battery (order separate 904276).

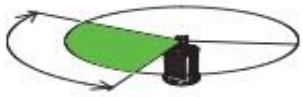


Number	Description	Degrees sector
904270	BargeSafe Green	112.5°
904271	BargeSafe Red	112.5°
904272	BargeSafe White	135°
904273	BargeSafe Yellow	225°
904274	BargeSafe Yellow PL	225°
904275	BargeSafe All Round	360°

PL= with Bulgin connector for Peep-Light attachment.  
 Peep-Light NOT included (order separate).

Number	Description
904258	Peep-Light for Masthead light 904274 This Blue steady-on light is used to guide mariners when manoeuvring the barge into dock and to help determine the swing of the bow when viewed from the stern.

Number	Description
904276	Battery for BargeSafe 3NM High Grade 6V 45Ah Air Alkaline



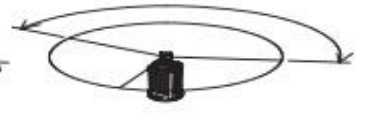
GREEN 112.5°



YELLOW 225°

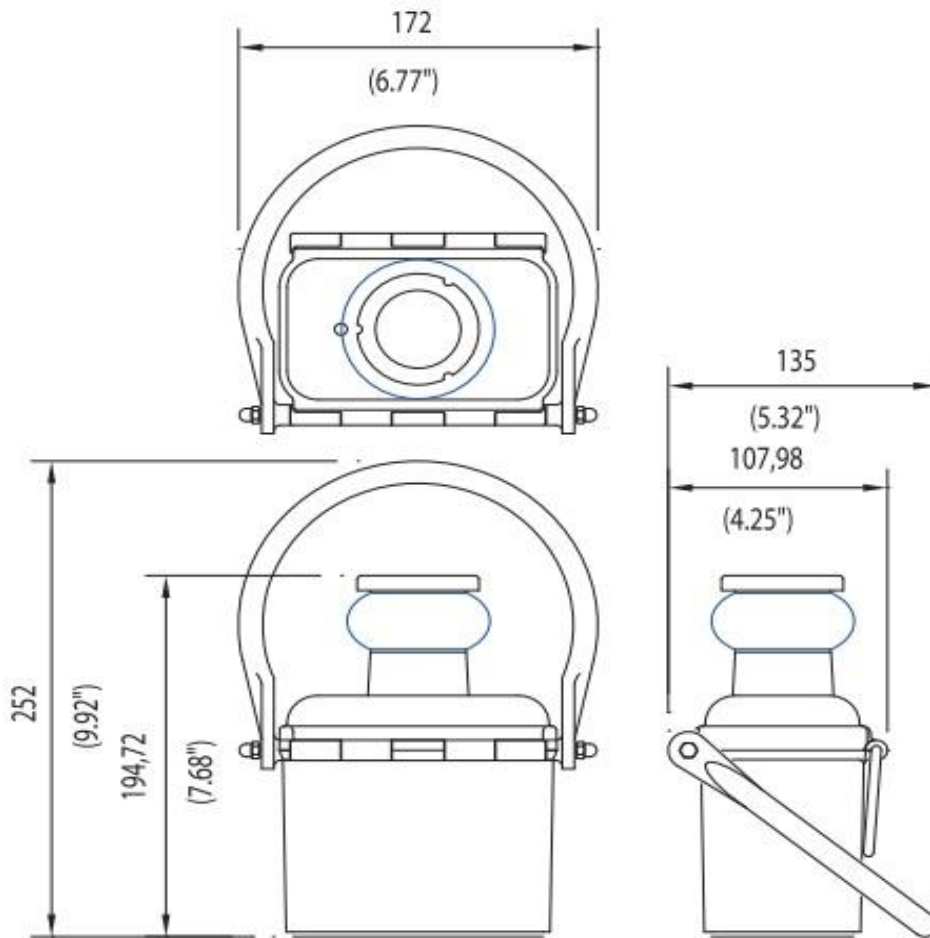
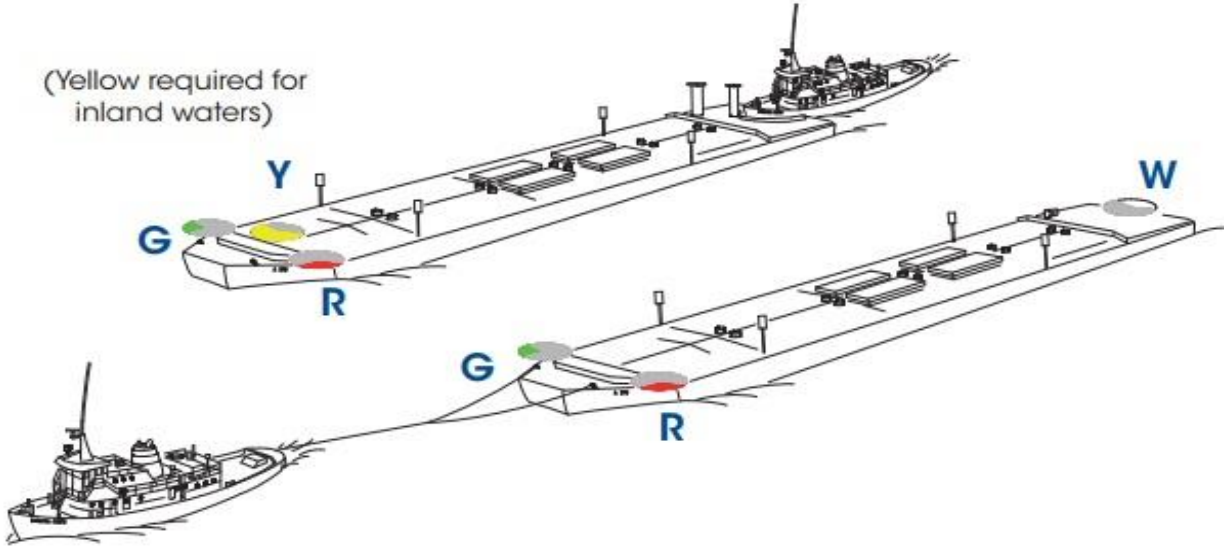


RED 112.5°



WHITE 135°

(Yellow required for inland waters)



**Sealite BargeSafe 3NM dimensions  
Magnetic base**