

Pipe Floats

SL-PF Series



Sealite have a range of mooring chains & accessories - ask your representative today how we can supply your complete mooring solution

Sealite pipe floats are rotationally moulded from UV-stabilized polyethylene, and can be secured around pipes, hoses and cables for use in dredging or other marine environments such as dredging.

Each kit comes in two halves with associated hardware, and is stackable for storage or within a shipping container for economical transportation.

The units have a number of convenient features including tapered internal ends to allow the pipe to flex, and an internal anti-slip mechanism. As an option, the floats can be filled with closed-cell polyurethane foam to prevent water ingress in the unlikely event of damage.



Pipe Floats Specifications

Model	Pipe clamp OD (mm/inches)	Pipe clamp ID (mm/inches)	Suitable pipe OD	Length (mm/inches)	Mass (kg/lbs)	Total Buoyancy to full submergence, unfoamed (kg/lbs)
SL-PF08	460 / 18	225 / 8%	8 inches	900 / 35½	Unfoamed: 19.1 / 42.0 Foamed: 22.7 / 50	80 / 176
SL-PF10	812 / 32	276 / 10%	10 inches	1066 / 42	Unfoamed: 31.8 / 70 Foamed: 47.7 / 105	364 / 801
SL-PF12	820 / 32½	320 / 12 ⁵ / ₃₂	12 inches	1016 / 40	Unfoamed: 31.8 / 70 Foamed: 47.7 / 105	381 / 838
SL-PF24	1219 / 48	632 / 24%	24 inches	1143 / 45	Unfoamed: 81.8 / 180 Foamed: 111.4 / 245	853 / 1877

Warranty: All pipe floats have a 1 year warranty.
Available colours: Orange, red, green, white, yellow.

The Sealite Advantage

- Strong, rotationally moulded polyethylene construction
- Manufactured in high visibility colors
- Easy to install
- Internal anti-slip mechanism
- Resistant to sea conditions
- Available in four sizes: 8,10, 12, 24 inches

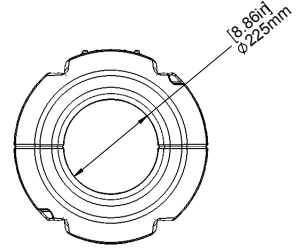
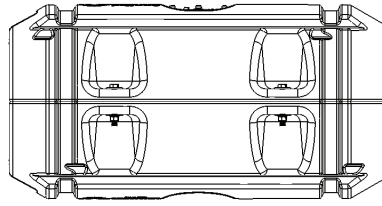
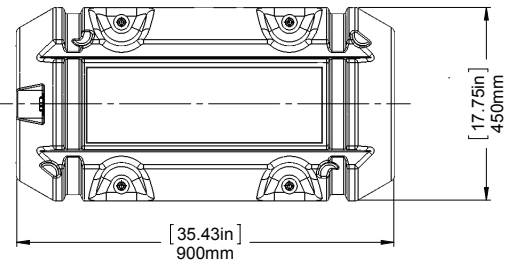


Environmentally Friendly & Recyclable

Sealite buoy products are made from recyclable materials. As a service to customers, individual components and products at the end of their service life may be returned to Sealite for recycling.

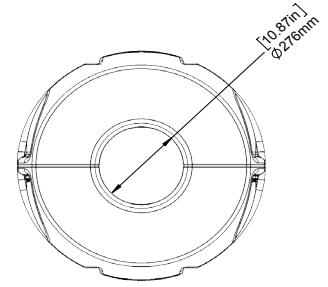
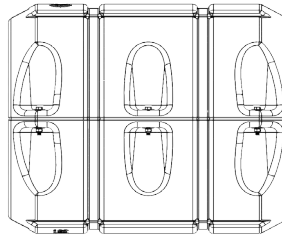
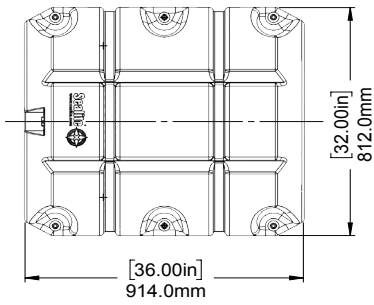
Technical Illustrations

SL-PF08



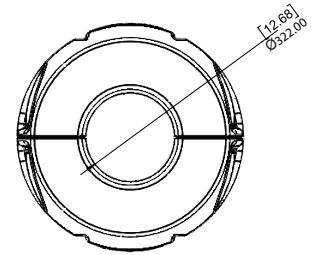
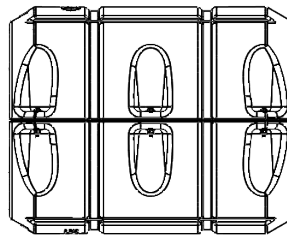
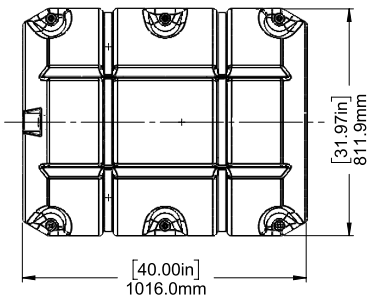
Base Model

SL-PF10



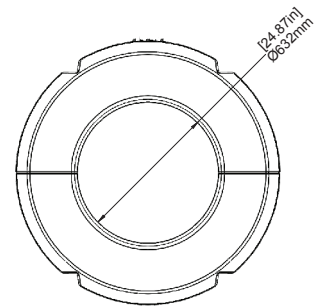
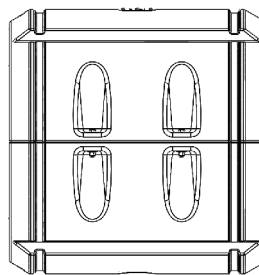
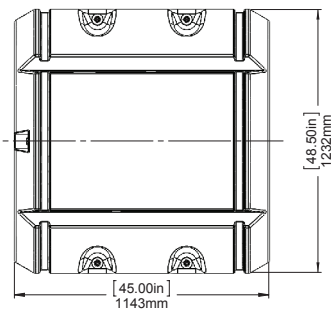
Base Model

SL-PF12



Base Model

SL-PF24



Base Model

Specifications subject to change or variation without notice
 Refer to the Sealite website under the warranty section
 Subject to standard terms and conditions
 Intensity setting subject to solar availability



We believe technology improves navigation™



Sealite Pty Ltd
 Australia
 +61 (0)3 5977 6128

Sealite Asia Pte Ltd
 Singapore
 +65 6829 2243

Sealite United Kingdom Ltd
 UK
 +44 (0) 1502 588026

Sealite USA LLC
 USA
 +1 (603) 737 1311

