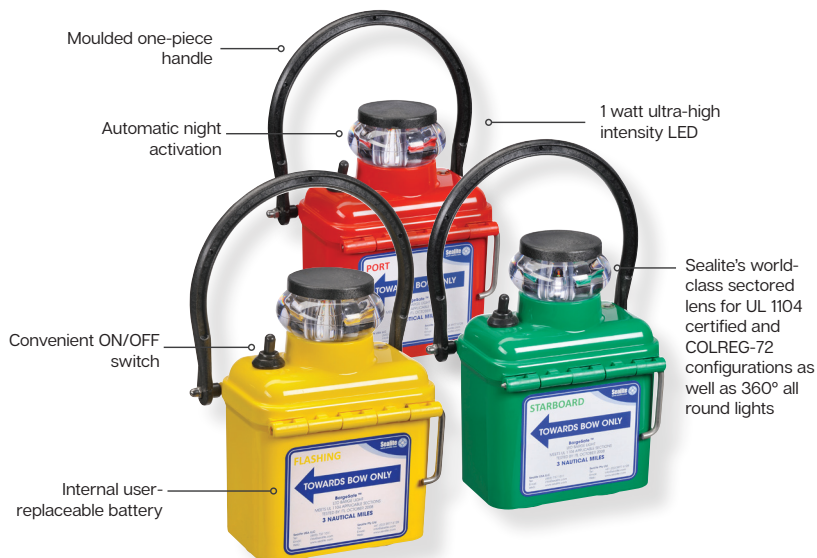


3NM Barge Light

BargeSafe™ 3NM

Meets UL 1104 Applicable Sections for a 3NM Barge Light & COLREG-72 Compliant

The Sealite BargeSafe™ 3NM battery powered LED barge light is certified to UL 1104 and COLREG-72 compliant with >3NM visible range.



The LED barge light is one of the most advanced in its class, and incorporates a host of innovative features designed to make the unit extremely user-friendly.

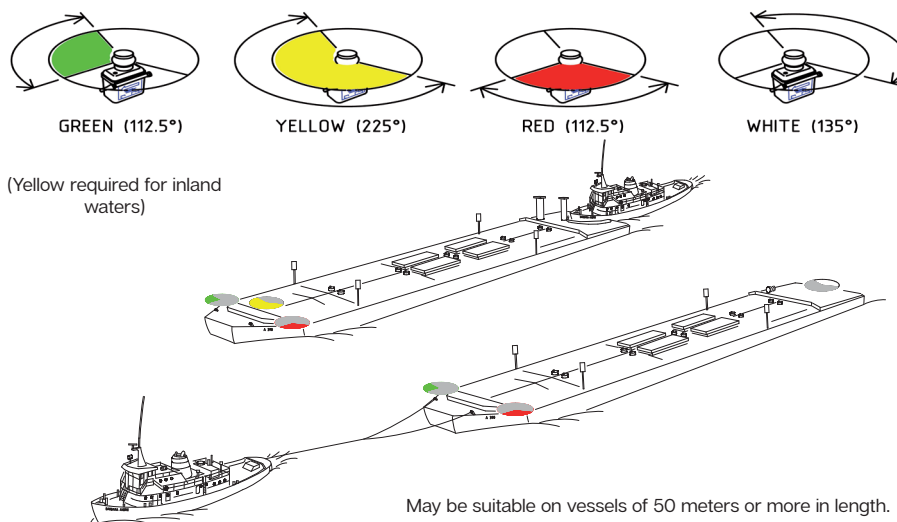
The world-class LED lens is designed and manufactured by Sealite and achieves precise intensity and sectoring requirements from a single LED light source. This design helps achieve a lower operational current compared with alternative LED barge lights – making the unit ultra efficient and offering a battery run time of up to 45 nights.

The barge light casing and handle are injection-moulded from UV-stabilised polycarbonate – offering enormous impact resistance and long operational life. The casings are coloured for easy identification of light output colour.

Two strong magnets in base provides strong fixing in position to the barge deck.

All Round 360° Light Configuration

The Sealite BargeSafe™ 3NM is also available as a 360 degree all round light with either flashing or steady-on flash characteristics.



User Advantage

- Certified to UL 1104 & COLREG-72 photometrics
- LED technology
- Precise light sectoring achieved via Sealite's world-class in-house designed lens
- 3NM visible range
- Installs in seconds
- Low power consumption
- Installs in seconds

Reliable

- IP67 waterproof
- Robust

Technical Specifications •*

BargeSafe™ 3NM

Light Characteristics

| | |
|------------------------------------------|--------------------------------------------------------------------------------------------|
| Light Source | Using 1 watt ultra-high intensity LED (sectored configuration). |
| Available Colours | Red, Green, White, Yellow as per UL 1104 & COLREG-72 |
| Maximum Available Intensity (cd)* | As per UL 1104 & COLREG-72 |
| Visible Range (NM) | AT @ 0.74: >3NM as per UL 1104 & COLREG-72 AT @ 0.85: >3.5NM as per UL 1104 & COLREG-72 |
| Horizontal Output (degrees) | Red - 112.5° Green - 112.5° White - 135° Yellow - 225° as per UL 1104 & COLREG-72. |
| Flash Characteristics | As per UL 1104 & COLREG-72 (steady-on & flashing). All round flashing RED |
| LED Life Expectancy (hours) | >100,000 |

Electrical Characteristics

| | |
|----------------------------------|-------------|
| Circuit Protection | Integrated |
| Working Voltage Range (V) | 4 - 16 |
| Temperature Range | -40 to 80°C |

Power Supply

| | |
|------------------------------|----------------------------|
| Battery Type | Air Alkaline (recommended) |
| Battery Capacity (Ah) | 45Ah (Air Alkaline) |
| Nominal Voltage (V) | 6V (Air Alkaline) |
| Autonomy (days) | >45 |

Physical Characteristics

| | |
|--------------------------------|-------------------------------------------------------------------------------------------------------------------------------------------------------------------------------------------------|
| Battery Housing | LEXAN® Polycarbonate – UV-stabilised |
| Lens Material | Acrylic |
| Lens Mount & Top | Anodised aluminium |
| Lens Design | Internal single LED cavity with individual sectoring compartments to meet all UL 1104 & COLREG-72 angles for light output. Internal 3 x LED cavities to suit 360° all round light configuration |
| Mounting | 2 x magnets |
| Height (mm/inches) | 195 / 7 ⁷ / ₈ |
| Width (mm/inches) | 172 / 6 ⁷ / ₈ |
| Depth (mm/inches) | 108 / 4 ¹ / ₄ |
| Mass (kg/lbs) | 1.5 / 3 ¹ / ₄ |
| Product Life Expectancy | Up to 12 years ^ |

Certifications

| | |
|--------------------------|------------------------------------------|
| Approvals | UL 1104. COLREG-72 |
| IALA | Signal colours compliant to IALA E-200-1 |
| Quality Assurance | ISO 9001:2015 |
| Waterproof | IP67 |

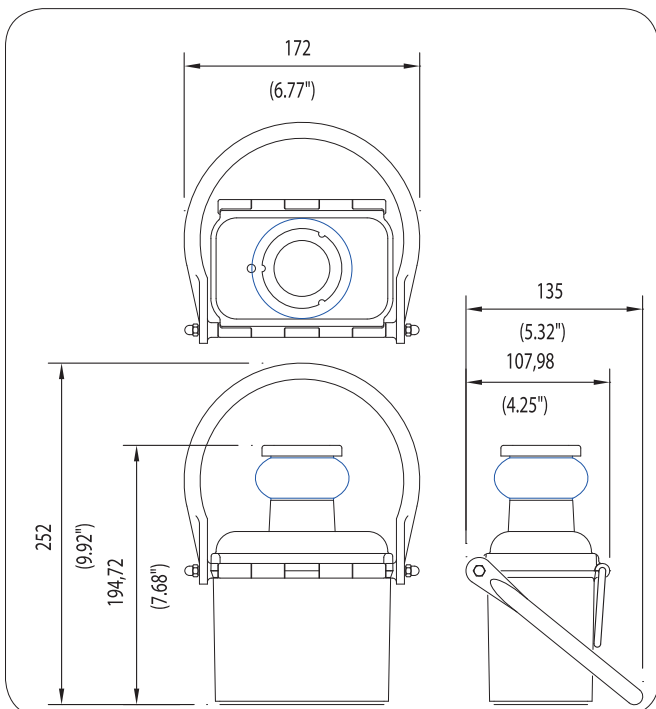
Intellectual Property

| | |
|-------------------|-------------------------------------------------------------------------------------------------------|
| Trademarks | SEALITE® is a registered trademark of Sealite Pty Ltd BargeSafe™ is a trademark of Sealite Pty Ltd |
|-------------------|-------------------------------------------------------------------------------------------------------|

Warranty *

1 year

Technical Illustrations



We believe technology improves navigation™



Sealite Pty Ltd
Australia
☎ +61 (0)3 5977 6128

Sealite Asia Pte Ltd
Singapore
☎ +65 6829 2243

Sealite United Kingdom Ltd
UK
☎ +44 (0) 1502 588026

Sealite USA LLC
USA
☎ +1 (603) 737 1311



* Subject to standard terms and conditions * Intensity setting subject to solar availability

Specifications subject to change or variation without notice
Refer to the Sealite website under the warranty section

