

LED

IP 66

IK08

T_a
-40 +50Ex
ATEX

EAC

PLFS 50 LED



- High color rendering index CRI 80
- Estimated service life 70 000 hours
- With OVP, OCP, OTP protection
- Autonomous reactivation after recovery
- CCT4000K / other CCT on request
- Frosted front glass on request

new
LED
more lm/W

CONSTRUCTION

Housing: aluminium powder painted casting

Diffuser: borosilicate glass,

Accessories: protected galvanized steel gird, assembly kit for wall, pipe and ceiling mounting

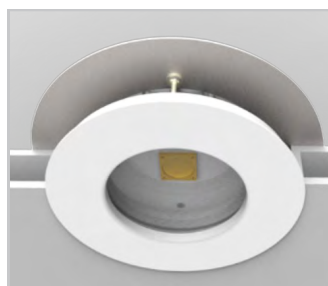
Gasket: silicon

TECHNICAL DATA

Certificate:	FIDI 19 ATEX 0030 , FIDI 19 ATEX 0070X EAC RU C-HR.AB24.B.03244
Marking:	CE 0722
Apparatus category:	II 2G II 2D
Marking of explosion protection:	Ex db eb op is IIC T6/T5 Gb Ex tb op is IIIC T80°C/T85°C Db
Ambient temperature ATEX: EAC:	See "model code" table -50°C ≤ T _a ≤ +50°C
Degree of protection:	IP 66 category 1
Resistance to shock:	IK 08
Protection class :	I (protective earthing)
Rated voltage:	90 - 305 V AC 127 - 431 V DC
Frequency:	50Hz / 60Hz
Rated power:	35W, 50W, 60W
Connecting terminals:	L1, L2, L3, N; max. 2 x 2,5 mm ²
Cable entry:	2x M25 (1x M25 Ex e cable gland for cable 7-15mm, 1x Exe M25 plug)
Weight:	7,5 kg
Packing:	The packing contains: 2 pcs 560 x 270 x 270 mm

MOUNTING

Pendant, on pipe, wall, ceiling,
recessed
(clean room LED light fitting)



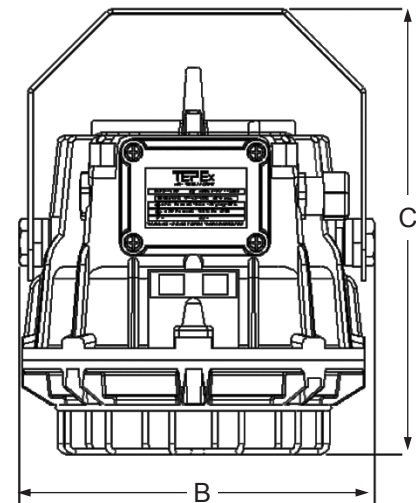
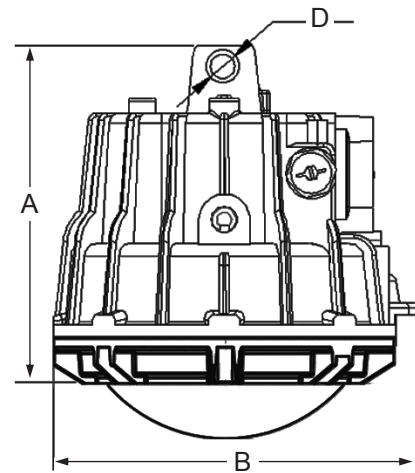
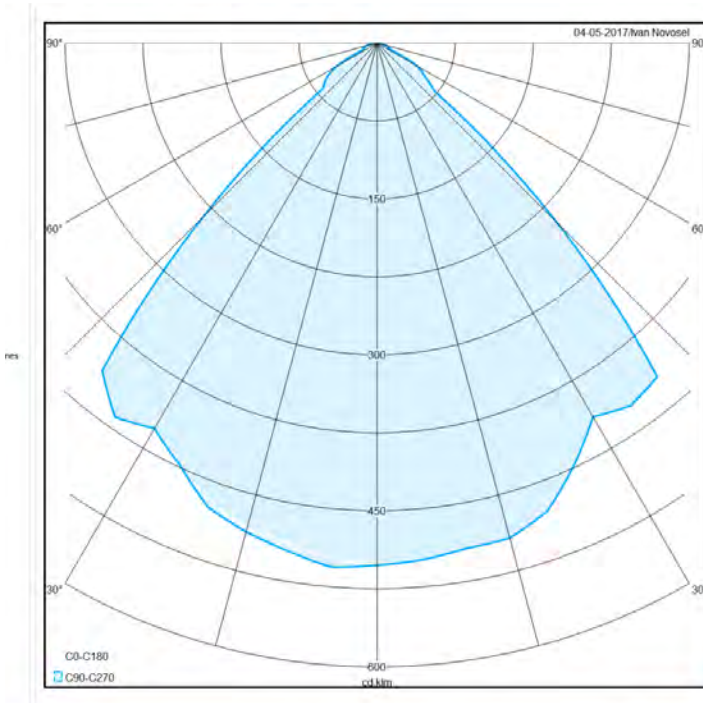
Pendant LED light fitting

MODEL CODE

MODEL CODE	Power consumption [W]	Voltage [V]	Light fitting Luminous flux [lm]	System efficacy [lm/W]	AMBIENT TEMP.
PLFS 50 LED-1	35 W	90-305 V AC 127-431 V DC	4520	129	-40°C ÷ +60°C
PLFS 50 LED-2	50 W		6460		-40°C ÷ +55°C
PLFS 50 LED-3	60 W		7750		-40°C ÷ +50°C

POLAR CURVE

DIMENSION DRAWING (mm)



A	B	C	D
225	245	300	Ø16

SPARE PARTS AND ACCESSORIES

SKETCH	DESCRIPTION	CODE	SKETCH	DESCRIPTION	CODE
	Replacement glass PLFS LED	PLFS LED 10-120		PLFS-T fixing bracket for tube R 1 1/2"	PLFS 20-120
	Wire guard PLFS LED	PLFS LED 10-130		PLFS-T mounting bracket (ceiling and wall mounting)	PLFS 20-130

All technical data is relevant at the time of print.