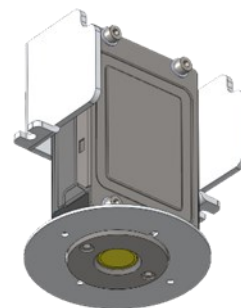


LED

IP 66



PLFM LED



- Robust light alloy enclosure weighs only 3,5 kg
- Fast and easy installation
- PLFM 100/3 with E27 lampholder for LED bulb
- Estimated service life for LED module 20W ~ 70 000 h
- 4000K , CRI 80

CONSTRUCTION

Enclosure: aluminum powder painted casting

Diffuser: borosilicate glass

Accessories: protective galvanized steel grid (INOX on request), assembly kit for wall, pipe and ceiling mounting

Standard version without protected grid

TECHNICAL DATA

Certificate:	FIDI 19 ATEX 0047X
Marking:	CE 0722
Apparatus category:	II 2G II 2D
Marking of explosion protection:	Ex db eb op is IIC T6 Gb Ex tb op is IIIC T85°C Db
Ambient temperature:	$-20^{\circ}\text{C} \leq T_a \leq +40^{\circ}\text{C}$
Degree of protection:	IP 66 category 1
Resistance to shock:	IK 08
Protection class :	I (protective earthing)
Rated voltage:	230 V
Frequency:	50/60 Hz
Rated power:	13 W, 20 W
Connecting terminals:	connection on tree-pole plug inside housing for connection L + N + PE; 2,5mm ²
Cable entry:	1x M20 (1x M20 Ex de adapter ADP 23/1 for cable 7-15mm) Or connection box for through wiring
Weight:	3,5 kg
Packing:	The packing contains: 1 pcs 440x260x170mm

MOUNTING

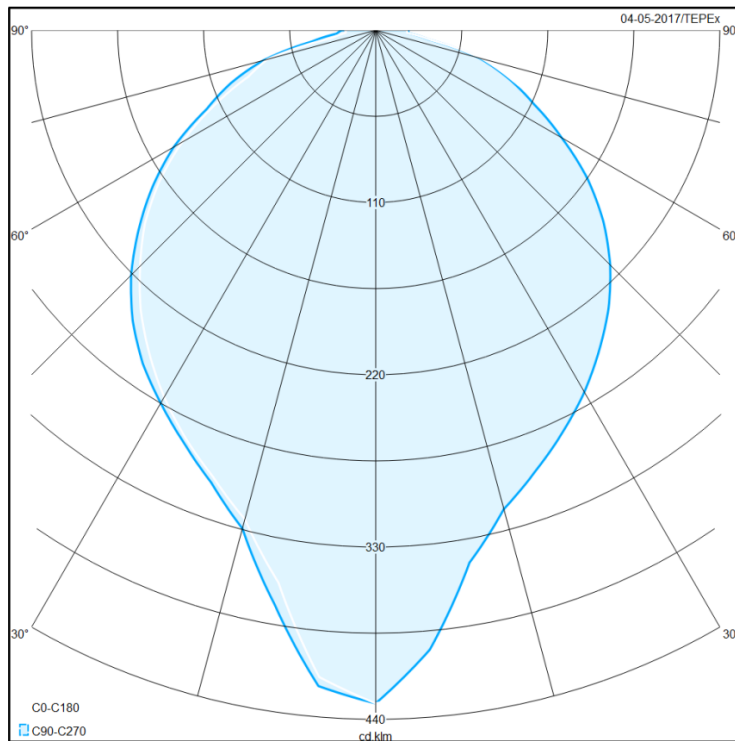
Pendant, on pipe, wall, ceiling

Pendant LED light fitting

MODEL CODE

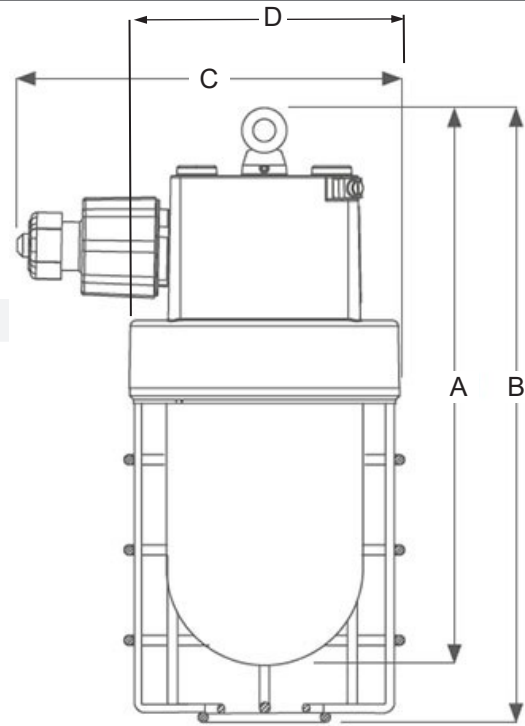
MODEL CODE	Power consumption [W]	Voltage [V]	Light fitting Luminous flux [lm]	System efficacy [lm/W]
PLFM 100/3-	E27 / 12 W Osram E27 / 13 W Philips	230V	810 1055	70
PLFM 20 LED	20W		2600	120

POLAR CURVE



LED module 20W, 2000 lm

DIMENSION DRAWING (mm)



A	B	C	D
320	345	175	Ø140

SPARE PARTS AND ACCESSORIES

SKETCH	DESCRIPTION	CODE	SKETCH	DESCRIPTION	CODE
	Replacement glass PLFM	PLFM 10-120		Ex d metal plug M20	SPC 20
	Protective grid PLFM	PLFM 10-130		LED bulb E27	prema tablici izvedbi
	Gasket PLFM	PLFM 10-140		PLFM mounting bracket for pipe R2"	PLFM 20-120
	PLFM LED modul, set	PLFM 10-170		PLFM mounting bracket (ceiling)	PLFM 20-130
	Adapter ADP 23/1	PLFM 20-110		PLFM mounting bracket (wall)	PLFM 20-140

All technical data is relevant at the time of print.