

IP 66



- Enclosure made of glass-fibre reinforced polyester resin
- 2 pole OFF switch or changeover switch



CONSTRUCTION

Enclosure: polyester plastic reinforced with glass fiber, color - black
Cover: with integrated thermoplastic elastomer gasket, closes with four M5 stainless steel screws.

TECHNICAL DATA

Certificate:	Ex FIDI 19 ATEX 0022X
Marking:	CE 0722
Apparatus category:	II 2G
Marking of explosion protection:	Ex d e IIC T6 Gb
Ambient temperature ATEX:	$-20^{\circ}\text{C} \leq T_a \leq +40/+50^{\circ}\text{C}$
Degree of protection:	IP 66 category 1
Resistance to shock:	IK 08
Protection class :	I (protective earthing)
Rated isolating voltage:	690 V
Thermal current I_{the} :	16 A for $-20^{\circ}\text{C} \leq T_a \leq +40^{\circ}\text{C}$ 15 A for $-20^{\circ}\text{C} \leq T_a \leq +50^{\circ}\text{C}$
PE terminals (inside of the enclosure):	max. 2x4 mm ² +2x2,5 mm ² , 3x4 mm ² , 2x6 mm ²
Weight:	App. 0,6kg

Installation switch

MODEL CODE

Installation switches SKX - SW / .

basic type code

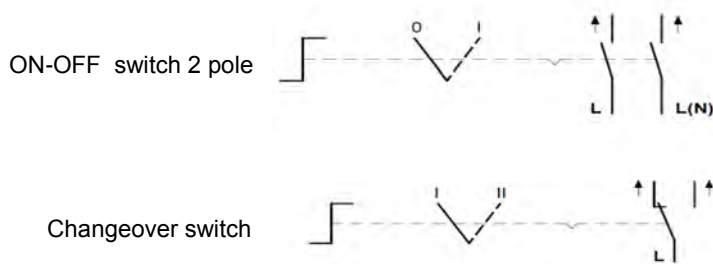
type of switches

2 - on-off switch 2 pole

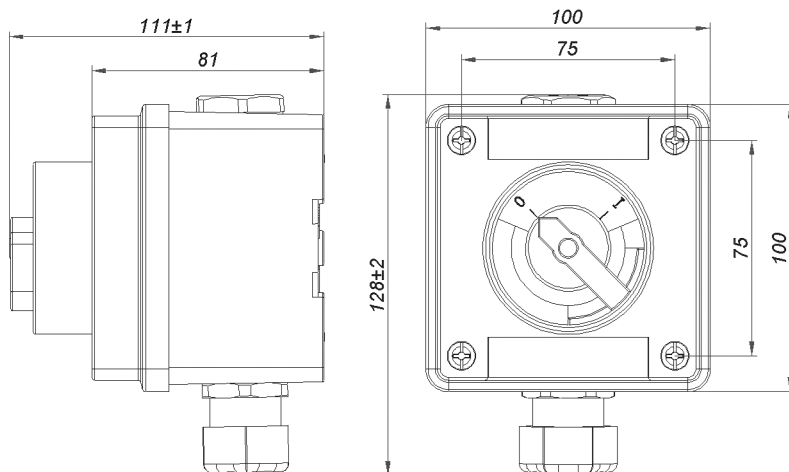
6 - changeover switch

Switching capacity	Rated operating voltage Ue	Rated operating current Ie
AC 5a	230 V	16 A for $-20^{\circ}\text{C} \leq T_a \leq +40^{\circ}\text{C}$ 15 A for $-20^{\circ}\text{C} \leq T_a \leq +50^{\circ}\text{C}$
AC 5b	230 V	16 A for $-20^{\circ}\text{C} \leq T_a \leq +40^{\circ}\text{C}$ 15 A for $-20^{\circ}\text{C} \leq T_a \leq +50^{\circ}\text{C}$
AC 1	500 V	16 A for $-20^{\circ}\text{C} \leq T_a \leq +40^{\circ}\text{C}$ 15 A for $-20^{\circ}\text{C} \leq T_a \leq +50^{\circ}\text{C}$
AC 15	250 V 500 V	6 A for $-20^{\circ}\text{C} \leq T_a \leq +50^{\circ}\text{C}$ 4 A for $-20^{\circ}\text{C} \leq T_a \leq +50^{\circ}\text{C}$
DC 13	24 V 60 V 110 V	6 A for $-20^{\circ}\text{C} \leq T_a \leq +50^{\circ}\text{C}$ 0,8 A for $-20^{\circ}\text{C} \leq T_a \leq +50^{\circ}\text{C}$ 0,5 A for $-20^{\circ}\text{C} \leq T_a \leq +50^{\circ}\text{C}$

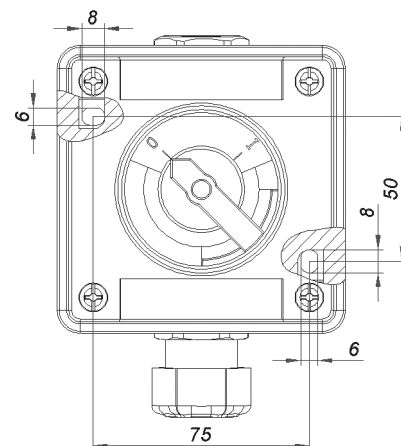
WIRING DIAGRAM



DIMENSION



MOUNTING



All technical data is relevant at the time of print.