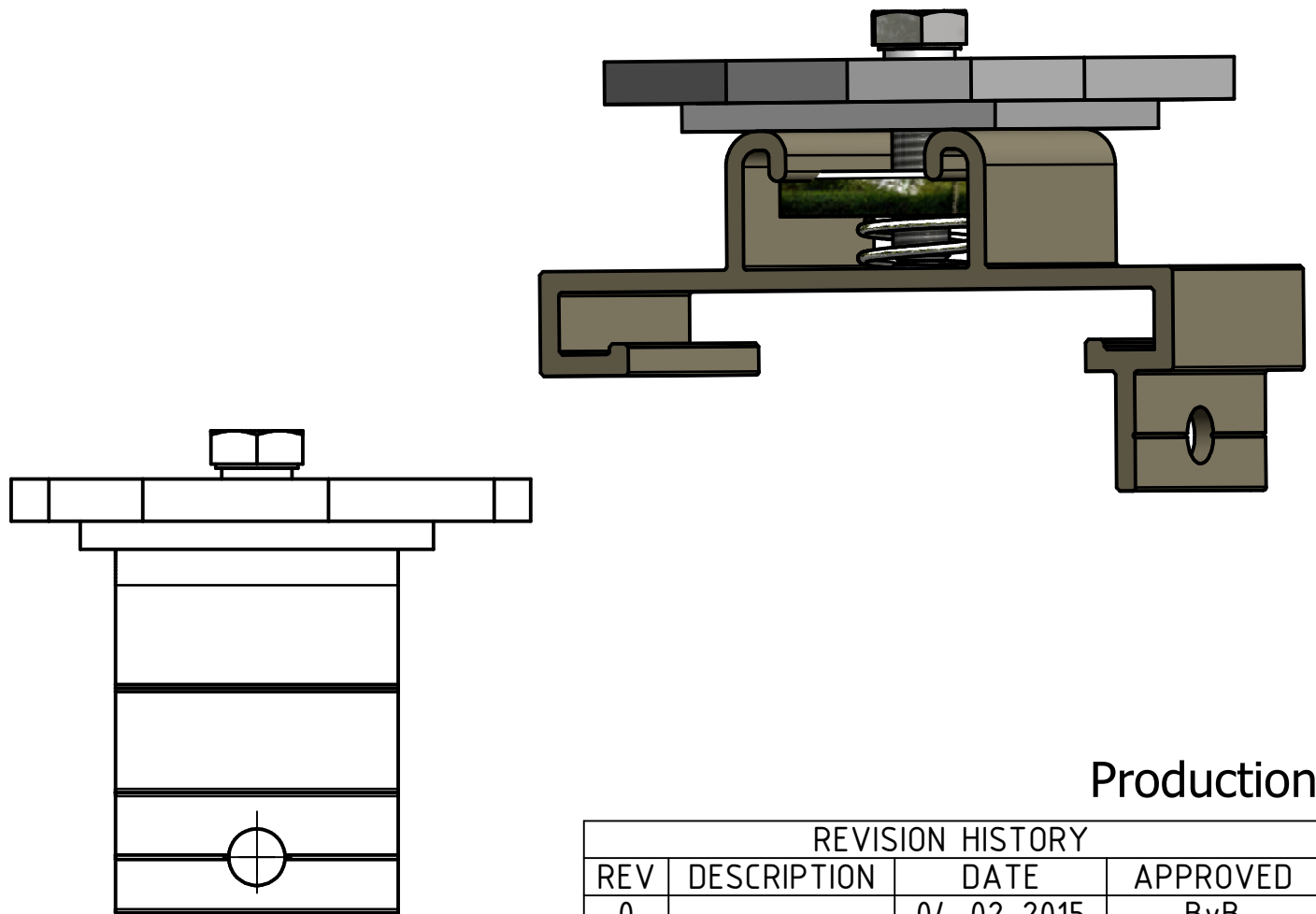
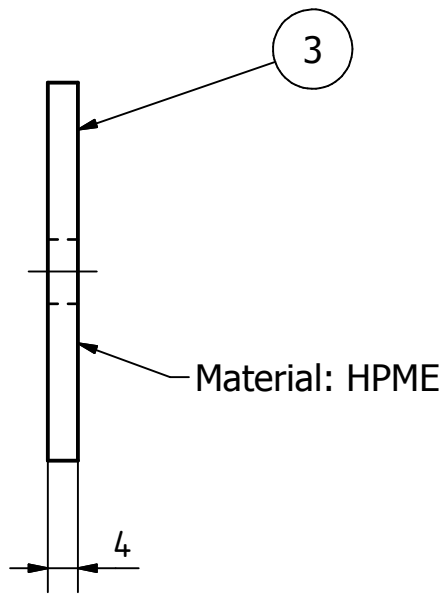
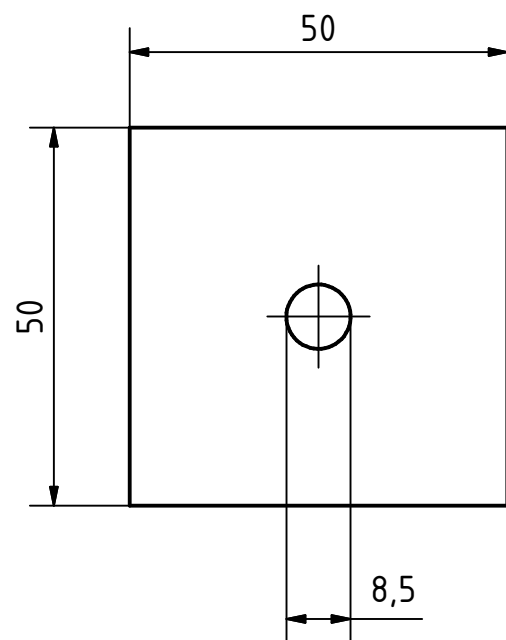
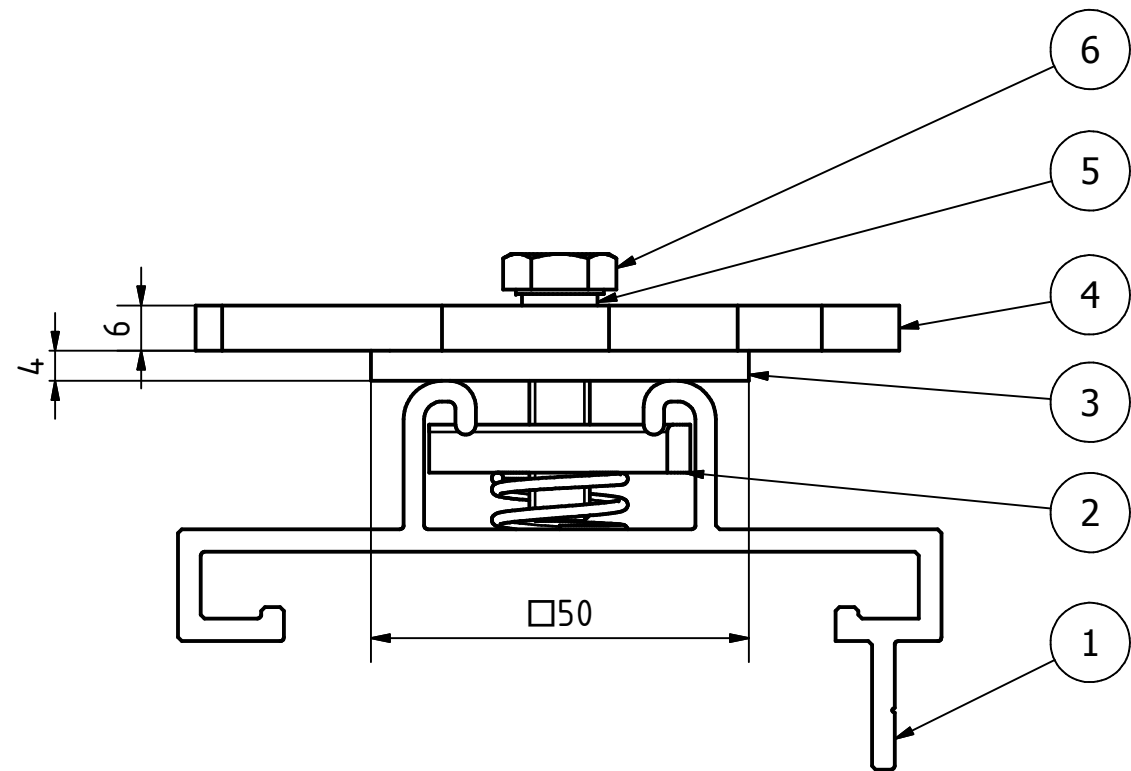


Note: When " Steelplate of ship " pos. 4 is more than 10 mm " bold " pos. 6 is to be enlarged.



Production

REVISION HISTORY			
REV	DESCRIPTION	DATE	APPROVED
0		04-02-2015	BvB

PARTS LIST			
Pos	Qty.	Name	Description
6	1	Bolt M8 x 30 A4	Hexagon head Stainless steel
5	1	Ring Duba M8	Code 100800000000
4	1	Steel plate of ship	
3	1	Plate HPME	50 x 50 x 4
2	1	Sliding nut M8 A4	Stainless steel
1	1	Suspension Profile	Drawing No: 003

		Name: Mounting on ship	Roughness	General tolerance
			3.2	0.5

 <b>TECHNED</b> <b>BENELUX</b> <i>Built for safety &amp; durability</i>	Drawing Nr.	050	A 3	Scale: 1 : 1
	Copyright: TechNed Benelux BV	Ordernr.		Drw: BvB   Chk:
	File:			Date: 04-02-2015

TechNed® Benelux BV Veersteeg 15 4212 LR Spijk The Netherlands	Sheet: 1/1
--	------------

This drawing is not published. It is the sole property of TechNed® Benelux BV. It is lent to the recipient for his confidential use only and upon the conditions agreements following. In consideration of the loan of this drawing, the recipient promises and agrees to return it upon request and that it shall not be reproduced, copied, lent or otherwise disposed of, directly or indirectly without the written consent of TechNed® Benelux BV not be used in any way to the interest of TechNed® Benelux BV.