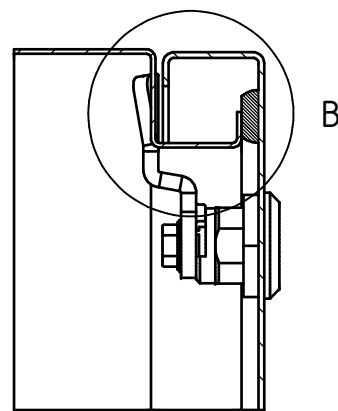


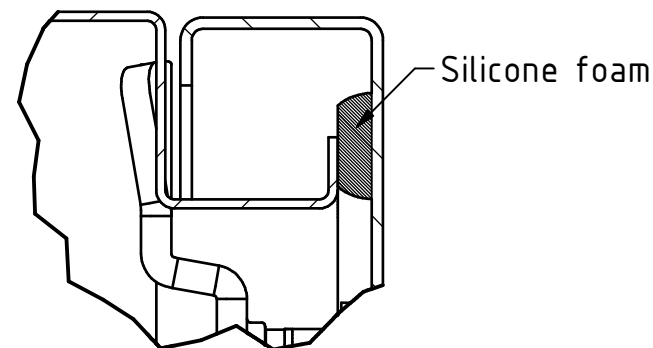
Material description:

- Box and cover made of stainless steel 316L.
- Locking device made of stainless steel 316L.
- Mounting brackets made of stainless steel 316L.
- Mounting plate made of sendzimer steel.
- Gasket made of silicone foam.
- Ingress protection IP 66.
- Certificate DEKRA 12ATEX500 // IECEx DEK 13.0028
- Entries: drawing Entry configuration TB-JB...Ex e/i enclosures.

A-A (1 : 2)



B (1 : 1)



All dimensions in mm

	Name: Ex e/i enclosure type TB-JB-R-34		Roughness	General tolerance	
	General assembly		3.2	0.5	0.5°
TECHNED BENELUX <i>Built for safety & durability</i>	Drawing Nr.	A 3	Scale: 1 : 7		
	TB-JB-R-34		Drw: BvB	Chk:	
	Copyright: TechNed Benelux BV	Ordernr.	Date: 10-09-2014		
	File:	Customer:			
TechNed® Benelux BV Veersteeg 15 4212 LR Spijk The Netherlands			Sheet: 1/1		

This drawing is not published. It is the sole property of TechNed® Benelux BV. It is lent to the recipient for his confidential use only and upon the conditions agreements following. In consideration of the loan of this drawing, the recipient promises and agrees to return it upon request and that it shall not be reproduced, copied, lent or otherwise disposed of, directly or indirectly without the written consent of TechNed® Benelux BV not be used in any way to the interest of TechNed® Benelux BV.