

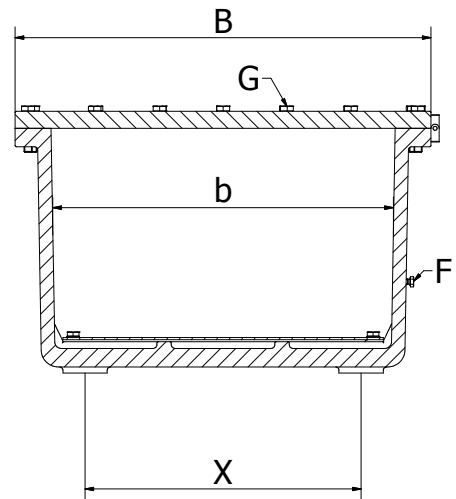
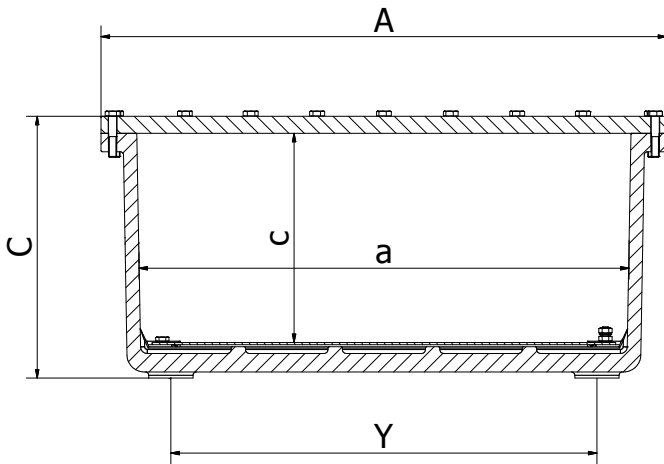
EJB-Series

Explosion Proof Ex d enclosures



Strong points

- Extruded lid: more operative surface and flexibility
- Hinges available on long/short side
- Weight reduction



Aluminium, general specifications

type	external dimensions			internal dimensions			mounting plate	weight KG	fixing dimensions		bolts	cover bolts	
	A	B	C	a	b	c			X	Y			F
EJB A	314	250	172,5	227,5	163,5	127	211	148	9,9	180	120	M8	M8 x 30
EJB B	423	247	229	341	167	187	321	146	15,4	290	128	M8	M8 x 30
EJB C	488	413	258,5	382	307	202	360	291	35	336	254	M8	M10 x 40
EJB D	530	490	258,5	420,5	380,5	202	394	358	41,4	360	320	M8	M10 x 40
EJB E	593	539	311	474	419	233	446	391	78,3	400	360	M10	M12 x 55
EJB F	830	450	311	713	329	233	670	294	89,7	630	250	M10	M12 x 55
EJB G	833	613	319	714	494	233	670	450	124	630	405	M10	M12 x 55
EJB H	833	613	412	714	494	334	670	450	135,7	630	405	M10	M12 x 55

Minor changes in these dimensions can be found due to small tolerances.

Stainless steel 316L general specifications

type	external dimensions			internal dimensions			mounting plate	weight KG	cover bolts	
	A	B	C	a	b	c				G
EJB A	319	254	171	235	170	141	225	160	32	M8 x 30
EJB B	429	254	231	345	170	196	335	160	42	M8 x 30
EJB C	491	416	252	390	315	217	380	305	80	M10 x 30
EJB D	536	496	251	430	390	216	420	380	99	M10 x 30
EJB E	601	546	266	495	440	221	485	430	144	M12 x 40
EJB F	846	461	311	735	350	266	725	340	180	M12 x 40
EJB G	836	616	308	725	505	253	715	495	281	M12 x 50
EJB H	836	616	403	725	505	348	715	495	309	M12 x 50

Minor changes in these dimensions can be found due to small tolerances.

Technical specifications

Certificate:	IECE: INE13.0024X and INE13.0031U ATEX: 12ATEX0081X and 13ATEX9092U
Material:	Aluminium Alloy: copper free (<0,1%), Stainless Steel 316L or Welded Steel Plate
IP rating:	IP66
Zones:	1,2,21 and 22
Temperature:	-50°C to +55°C
Applied standards:	EN-IEC 60079-0, EN-IEC 60079-1, EN-IEC 60079-11, EN-IEC 60079-31
Ex code:	Ex d IIB T6Gb, Ex d IIB T5 Gb, Ex d IIB T4 Gb Ex tb IIIC T85°C Db IP66, Ex tb IIIC T100°C Db IP66, Ex tb IIIC T135°C Db IP66 Ex d [ia Ga] IIB T6 Gb Ex tb [ia Da] IIIC T85°C Db IP66 Ex d IIB Gb Ex tb IIIC Db IP6
Threaded entries:	Metric thread 1,5, ANSI B1.20.1 NPT
Paint:	Standard RAL9002 polyurethane other colors are optional

Tables

Number of threaded holes and operators

Enclosure type Nr. of threaded holes and M 32 x 1,5 operators on cover

EJB-A	12
EJB-B	15
EJB-C	24
EJB-D	25
EJB-E	30
EJB-F	42
EJB-G	42
EJB-H	42

Number of entries on long/short side for each box type

Entry	Enclosure type							
	EJB-A	EJB-B	EJB-C	EJB-D	EJB-E	EJB-F	EJB-G	EJB-H
M20 1/2"	8/6	12/6	20/16	24/22	30/24	55/26	55/32	60/38
M25 3/4"	8/4	6/2	12/9	22/16	25/20	38/18	40/22	44/24
M32 1"	3/2	3/2	10/8	11/9	13/11	30/15	34/18	36/20
M50 1.1/2"	2/1	2/1	4/3	8/8	8/8	14/6	16/12	17/13
M63 2"	1/1	1/1	3/2	3/3	4/4	10/4	11/5	12/6
M75 2.1/2"			2/2	2/2	3/2	4/2	6/4	6/4
M80 3"			1/1	1/1	2/2	3/1	5/3	5/3

