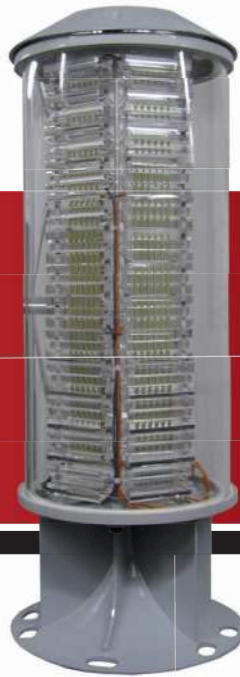


HIOL 120°



HIGH INTENSITY

High intensity obstruction light multiled type, compliance to ICAO type A/B, FAA L-856 and L-857, day and night.

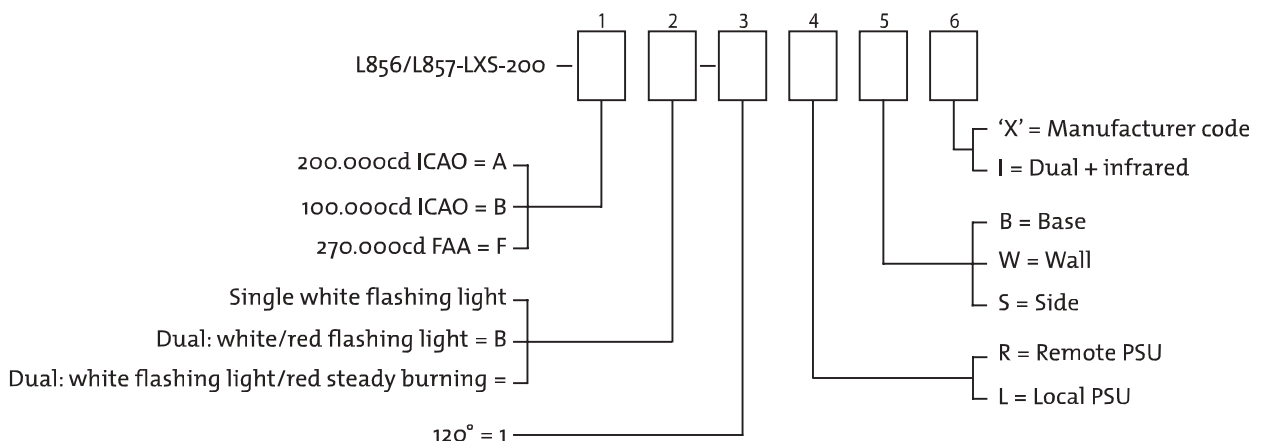
- Based on LED technology
- Flashing white light (20-60 fpm)
- Flashing red light (20-60 fpm), night mode (HIOL-AB)
- Steady burning red light in night mode (HIOL-AC)
- Visible red light + infrared emission (see code 6)
- Long life time >10+ years expectancy
- Stabilized light output
- Inertized internal atmosphere
- Borosilicate cover protection
- Protection degree: IP 66
- Weight: 12 kg
- Power consumption HIOL-A 120° for day mode @20fpm: 75,3W
- Power consumption HIOL-A 120° for twilight mode @20fpm: 36,5W
- Power consumption HIOL-A 120° for night mode @20fpm: 20,7W
- Power consumption HIOL-AB/AC 120° for day mode @20fpm: 81W
- Power consumption HIOL-AB/AC 120° for twilight mode @20fpm: 42,2W
- Power consumption HIOL-AB/AC 120° for night mode @20fpm: 26,4W
- Power consumption HIOL-AC 120° for night mode steady burning: 71,1W

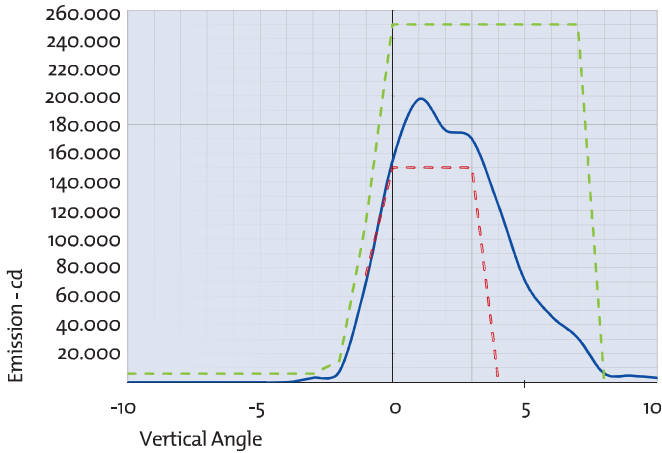
Patented air extraction system and heat sink



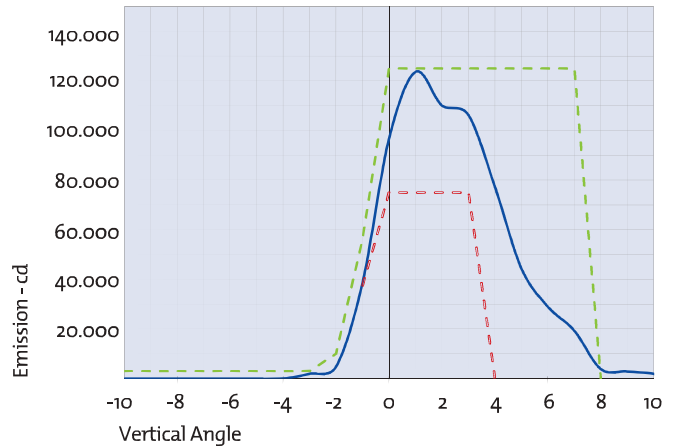
Low wind load factor

Order code





— L856-LXS-A average emission level at 70°C ambient temperature
 - - ICAO ANNEX 14 high intensity type A - Min Required Intensity
 - - ICAO ANNEX 14 high intensity type A - Max Required Intensity



— L856-LXS-B average emission level at 70°C ambient temperature
 - - ICAO ANNEX 14 high intensity type B - Min Required Intensity
 - - ICAO ANNEX 14 high intensity type B - Max Required Intensity

Order code 5

