

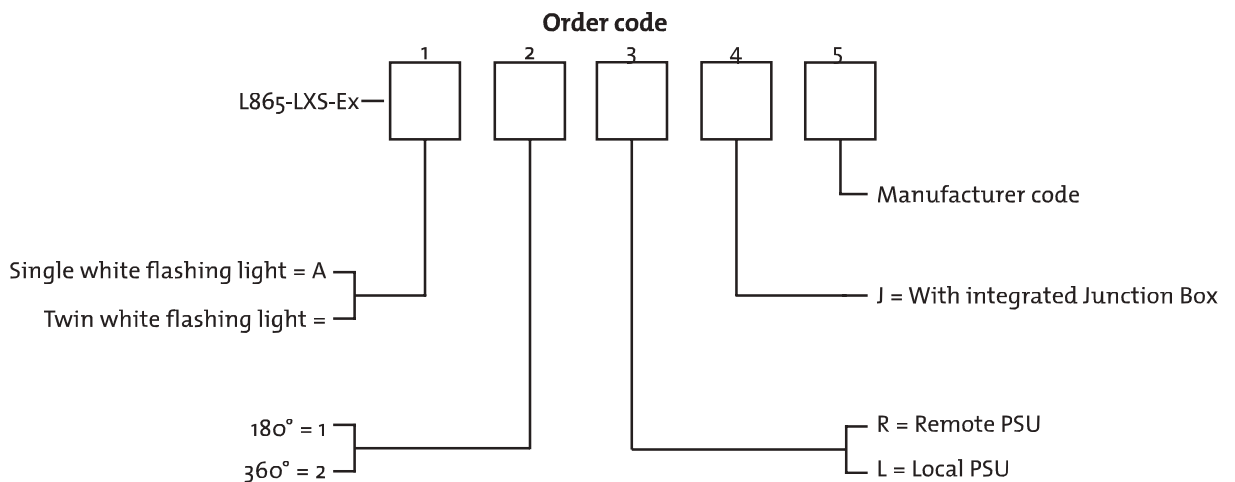
MIOL-A-Ex

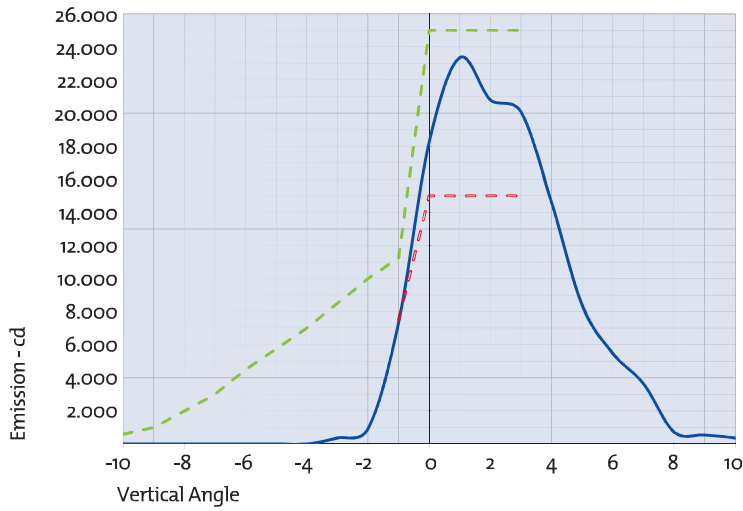


MEDIUM INTENSITY

Medium intensity obstruction light multiled type, compliance to ICAO type A and FAA L-865, single or twin, day and night.

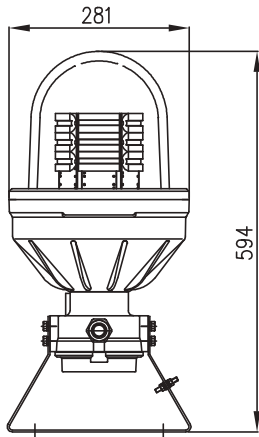
- Based on led technology
- Flashing white light (20-60 fpm) in day and night mode
- Long life time >10+ years expectancy
- Stabilized light output
- Weight: 15,1 kg
- ATEX: Exde IIC T4
ExtDA21 IP65 T135°C
- Power consumption for day mode @20fpm: 51W
- Power consumption for night mode @20fpm: 12,9W
- Power consumption for day mode @40fpm: 90W
- Power consumption for night mode @40fpm: 23W



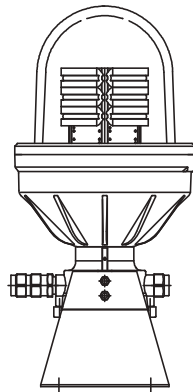


- L865-LXS-A average emission level at 90°C ambient temperature
- - - ICAO ANNEX 14 medium intensity type A Minimum Required Intensity
- - - ICAO ANNEX 14 medium intensity type A Maximum Required Intensity

BEACON FRONT VIEW



BEACON SIDE VIEW



FIXING DETAILS

