

# MIOL-A



## MEDIUM INTENSITY

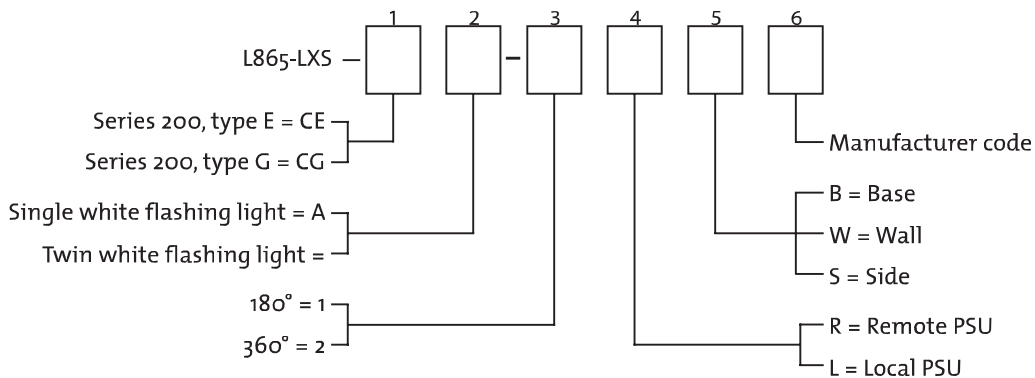
Medium intensity obstruction light multiled type, compliance to ICAO type A and FAA L-865, single or twin, day and night.

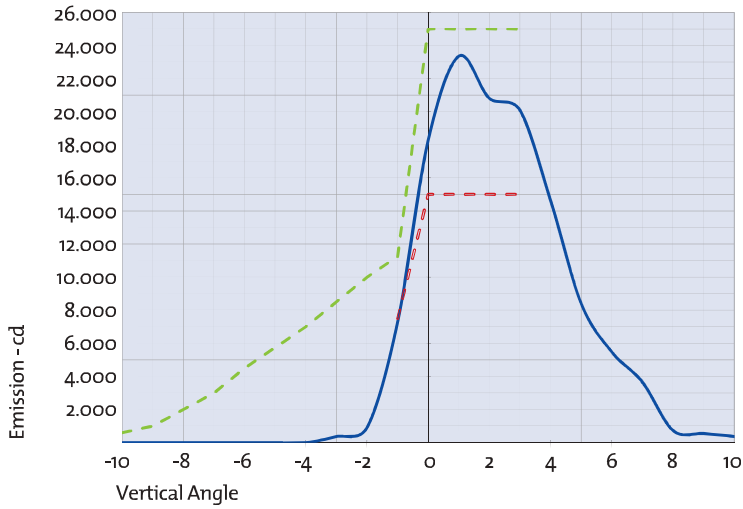
- Based on LED technology
- Flashing white light (20-60 fpm) in day and night mode
- Long life time >10+ years expectancy
- Stabilized light output
- Inertized internal atmosphere
- Borosilicate cover protection
- Protection degree: IP 66
- Weight: from 3,7 kg
- Power consumption for day mode @20fpm: 51W
- Power consumption for night mode @20fpm: 12,9W
- Power consumption for day mode @60fpm: 90W
- Power consumption for night mode @60fpm: 23W

Patented air extraction system and heat sink



### Order code

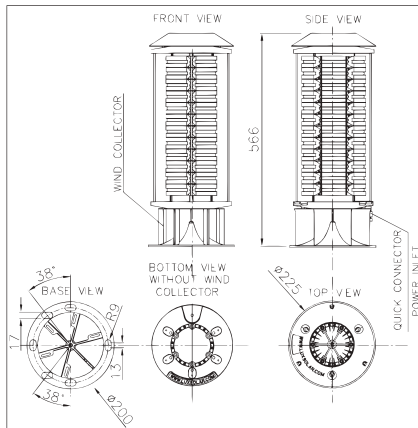




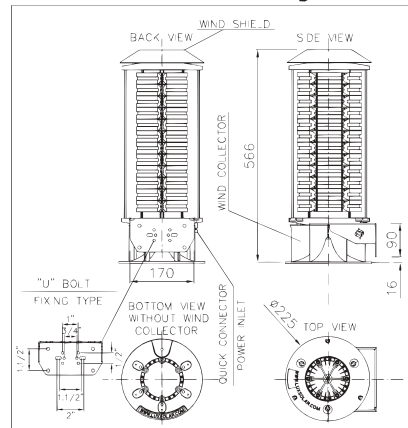
- L865-LXS-A average emission level at 90°C ambient temperature
- - - ICAO ANNEX 14 medium intensity type A Minimum Required Intensity
- - - ICAO ANNEX 14 medium intensity type A Maximum Required Intensity

Order code 5

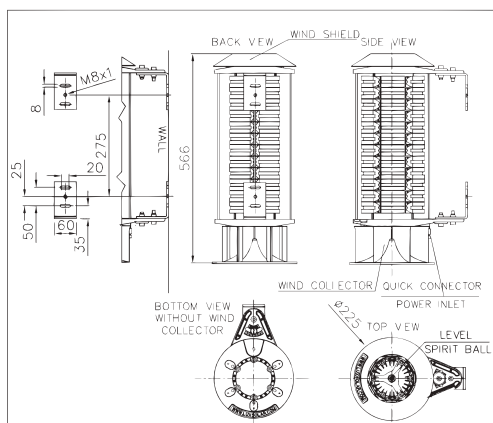
B = Base



S = Side mounting



W = Wall mounting



Available versions

- |                     |                     |                     |
|---------------------|---------------------|---------------------|
| L856-LXS-200-AA1... | L856-LXS-200-BA1... | L856-LXS-200-CA1... |
| L856-LXS-200-AB1... | L856-LXS-200-BB1... | L856-LXS-200-CB1... |
| L856-LXS-200-AC1... | L856-LXS-200-BC1... | L856-LXS-200-CC1... |
| L856-LXS-200-AA2... | L856-LXS-200-BA2... | L856-LXS-200-CA2... |
| L856-LXS-200-AB2... | L856-LXS-200-BB2... | L856-LXS-200-CB2... |
| L856-LXS-200-AC2... | L856-LXS-200-BC2... | L856-LXS-200-CC2... |
| L856-LXS-200-AA3... | L856-LXS-200-BA3... | L856-LXS-200-CA3... |
| L856-LXS-200-AB3... | L856-LXS-200-BB3... | L856-LXS-200-CB3... |
| L856-LXS-200-AC3... | L856-LXS-200-BC3... | L856-LXS-200-CC3... |

