

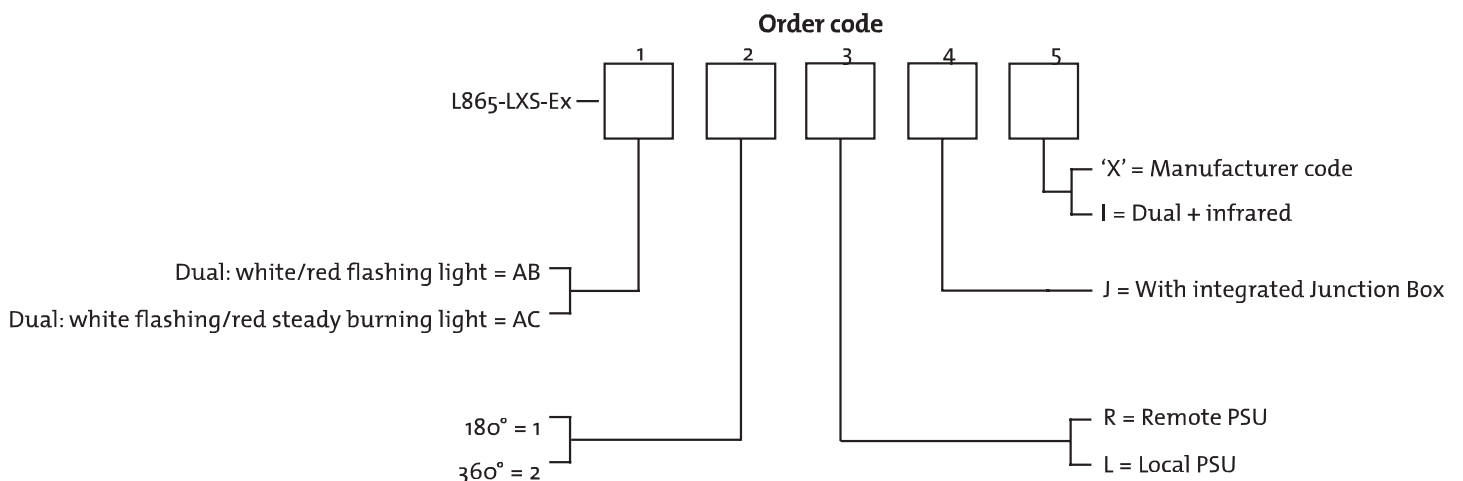
MIOL-AB-Ex MIOL-AC-Ex

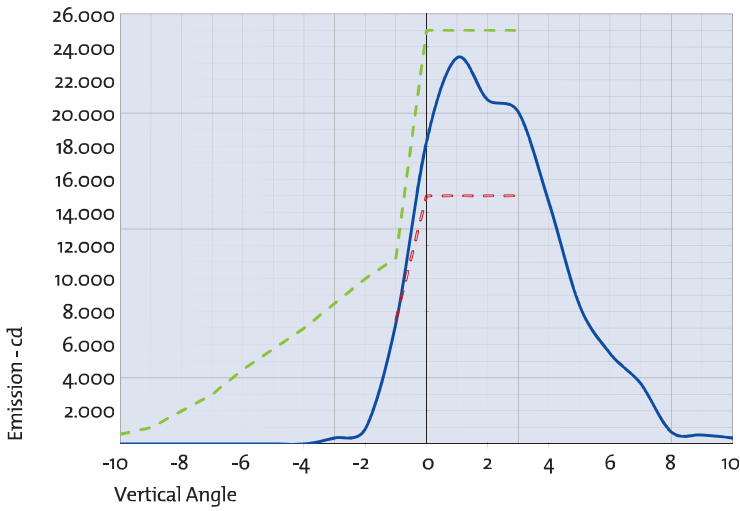


MEDIUM INTENSITY

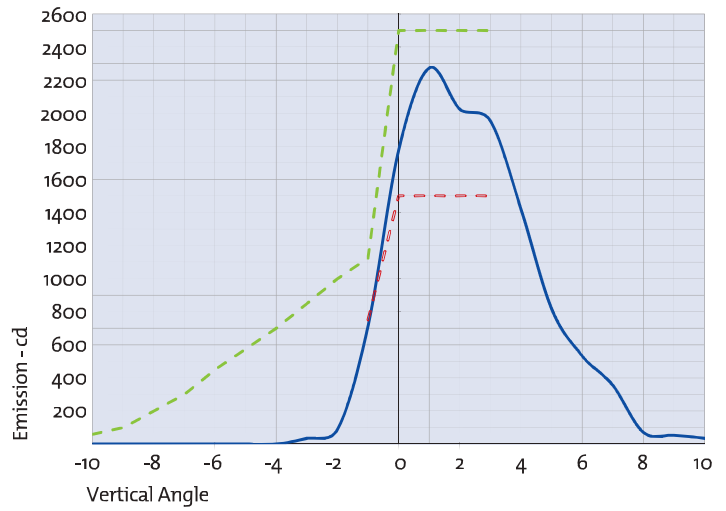
Medium intensity obstruction light multiled type, compliance to ICAO type AB/AC, and FAA L-865, FAA DUAL L-864/L-865, single or twin, day and night.

- Based on LED technology
- Flashing white light (20-60 fpm) in day and night mode
- Flashing red light (20-60 fpm) in night mode (type MIOL-AB)
- Steady burning red light in night mode (type MIOL-AC)
- Long life time >10+ years expectancy
- Stabilized light output
- Weight: 15,4 kg
- ATEX: Exde IIC T4
ExtDA21 IP65 T135°C
- Power consumption for day mode MIOL-AB/AC @20fpm: 57W
- Power consumption for night mode MIOL-AB @20fpm: 21W
- Power consumption for night mode MIOL-AC steady burning: 65,4W
- Power consumption for day mode MIOL-AB/AC @40fpm: 96W
- Power consumption for night mode MIOL-AB @40fpm: 24W



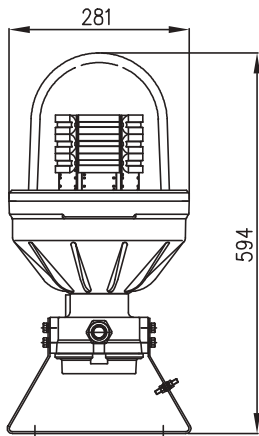


- L865-LXS-A average emission level at 90°C ambient temperature
- ICAO ANNEX 14 medium intensity type A Minimum Required Intensity
- ICAO ANNEX 14 medium intensity type A Maximum Required Intensity

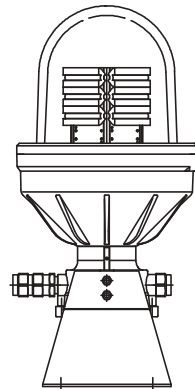


- L864-LXS-AB/AC average emission level at 90°C ambient temperature
- ICAO ANNEX 14 medium intensity type AB/AC Minimum Required Intensity
- ICAO ANNEX 14 medium intensity type AB/AC Maximum Required Intensity

BEACON FRONT VIEW



BEACON SIDE VIEW



FIXING DETAILS

